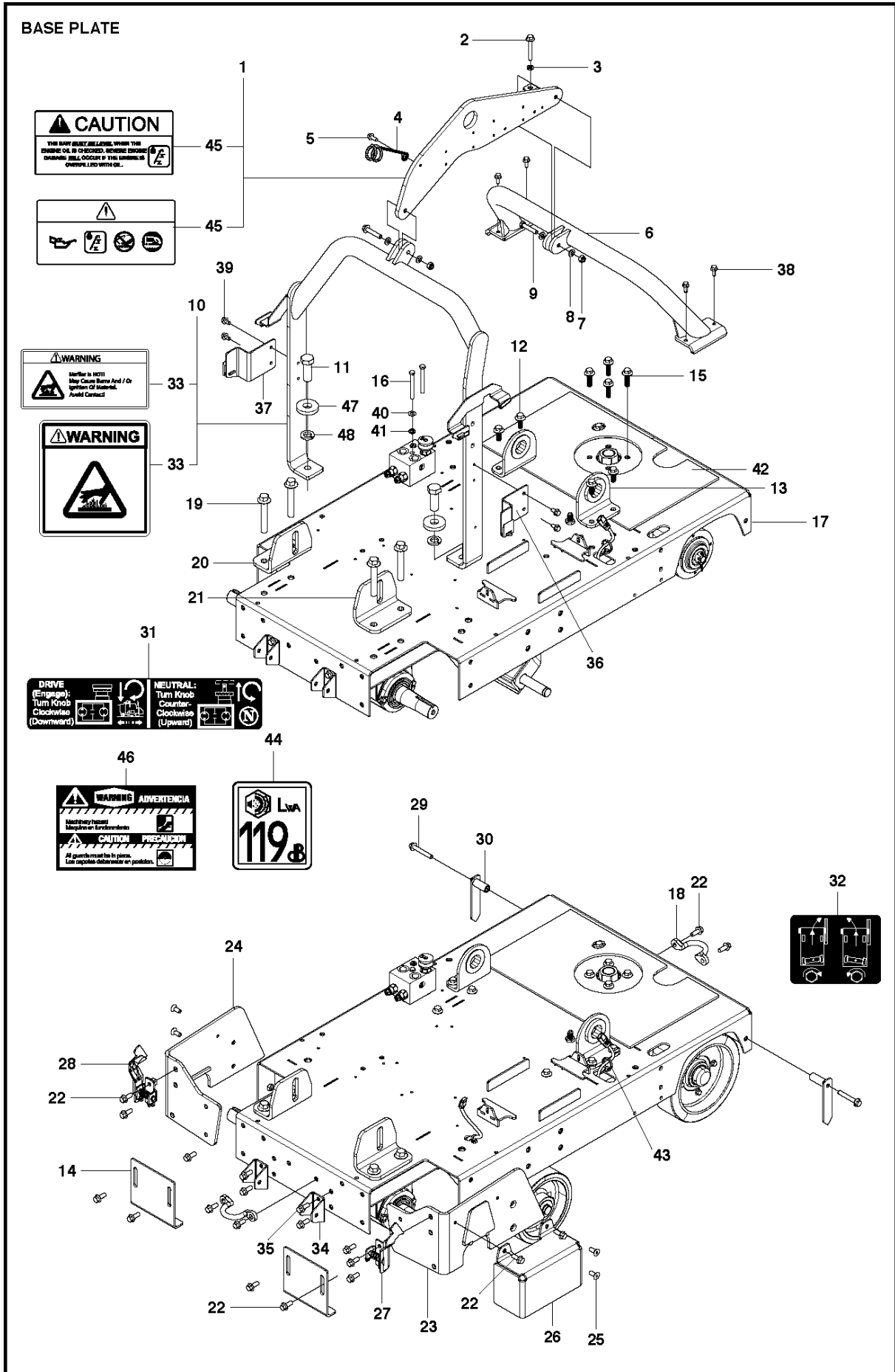




SPARE PARTS LIST

FLOOR SAWS

FS7000, 2014-05

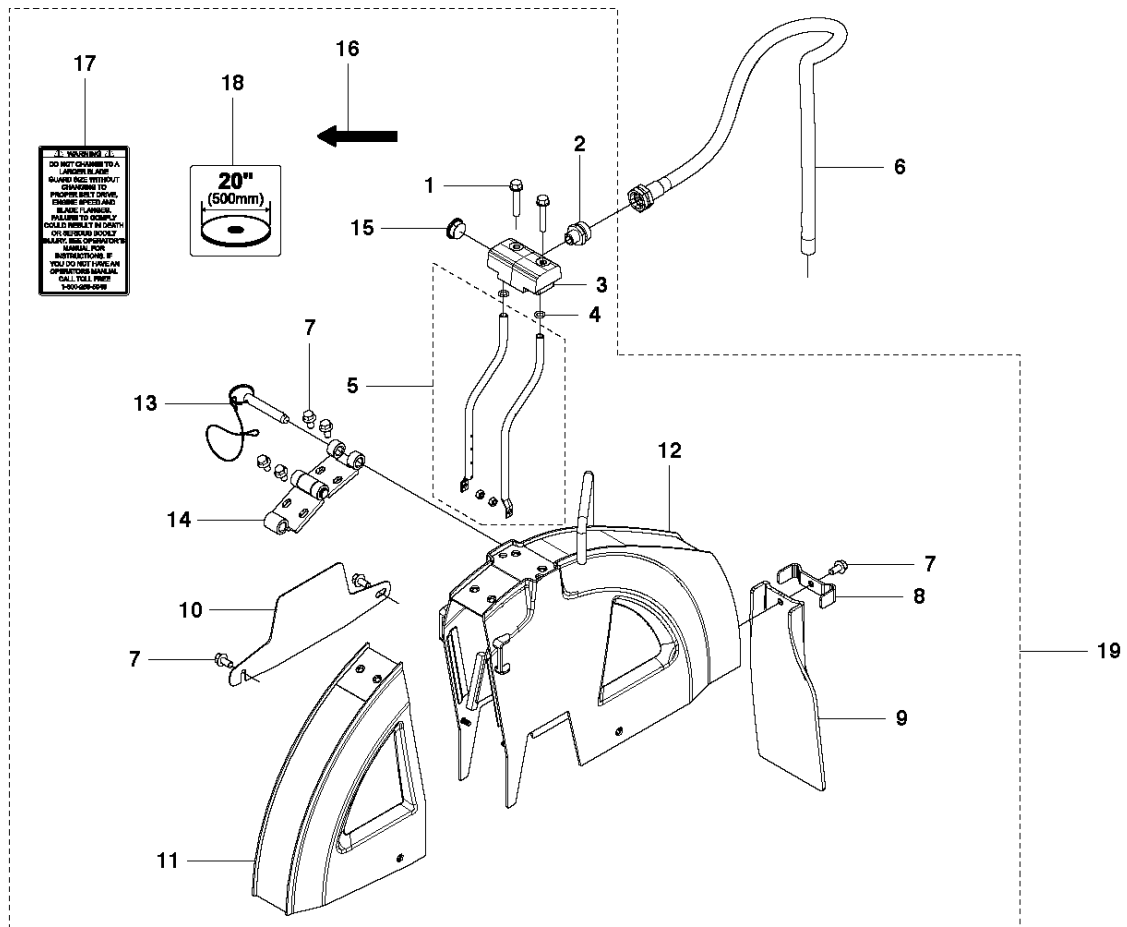


BASE PLATE

FS7000, 2014-05

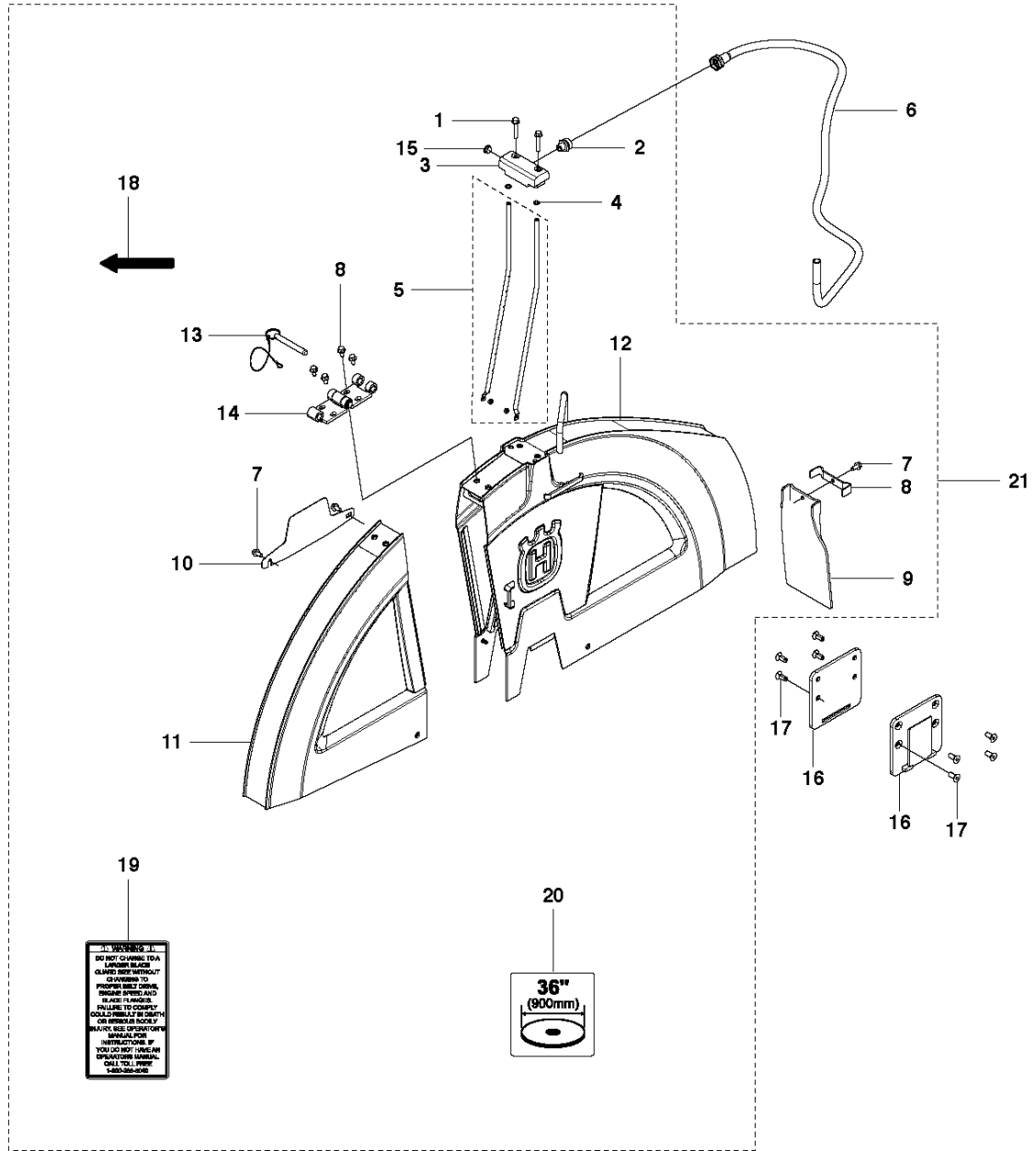
Ref	Part No	Description	Remark	QTY KIT
1	586 83 07-01	PLATE		1
2	581 24 33-01	SCREW EHHFM		1
3	731 43 20-01	HEXAGON THIN NUT		1
4	505 18 91-01	BRACKET		1
5	585 97 54-01	SCREW EHHFM		1
6	583 88 59-01	BRACKET		1
7	732 25 20-01	HEXAGON LOCKING NUT		2
8	734 11 72-01	WASHER		4
9	725 25 01-76	SCREW EHHM		2
10	586 65 86-01	BRACKET		1
11	542 18 83-24	HHCS. M16-2.0 X 45. 10.9		2
12	576 65 48-03	SCREW EHHFM		4
13	579 23 22-01	MOUNT		2
14	579 36 10-01	GUARD		2
15	576 65 48-04	SCREW EHHFM		4
16	725 24 69-51	SCREW EHHM		2
17	579 26 29-01	BASEPLATE		1
18	504 58 03-02	LOOP		2
19	581 24 94-05	SCREW EHHFM		4
20	579 72 73-01	MOUNT	Right Side	1
21	579 72 72-01	MOUNT	Left Side	1
22	585 97 31-01	SCREW EHHFM		16
23	579 36 19-01	BRACKET	Left Side	1
24	579 36 17-01	BRACKET	Right Side	1
25	725 64 93-51	SCREW IHCSFM		4
26	579 36 11-01	BRACKET		1
27	581 10 72-01	LOCK	Left Side	1
28	581 10 71-01	LOCK	Right Side	1
29	581 24 33-01	SCREW EHHFM		2
30	581 11 52-01	POINTER		2
31	542 19 06-28	DECAL	US Only	1
31	585 29 97-01	DECAL	CE Only	1
32	542 19 94-35	DECAL		1
33	542 16 90-65	DECAL	US Only	1
33	585 37 06-01	DECAL	CE Only	1
34	579 35 94-01	BRACKET		2
35	585 97 31-01	SCREW EHHFM		4
36	586 16 79-01	BRACKET	Left Side	1
37	586 16 80-01	BRACKET	Right Side	1
38	585 98 04-01	SCREW EHHFM		4
39	585 97 56-01	SCREW EHHFM		4
40	735 11 64-01	SPRING WASHER		2
41	734 11 63-01	WASHER		2
42	581 16 72-01	INSULATOR		1
43	583 95 95-01	CLAMP		3
44	542 19 60-29	DECAL	CE Only	1
45	521 88 53-02	DECAL	US Only	1
45	586 46 75-01	DECAL	CE Only	1
46	542 17 62-23	DECAL	US Only	3
47	542 16 03-93	FS900T RING/		2
48	539 99 03-33	WASHER		2

BLADE GUARD 20", 26", 30"



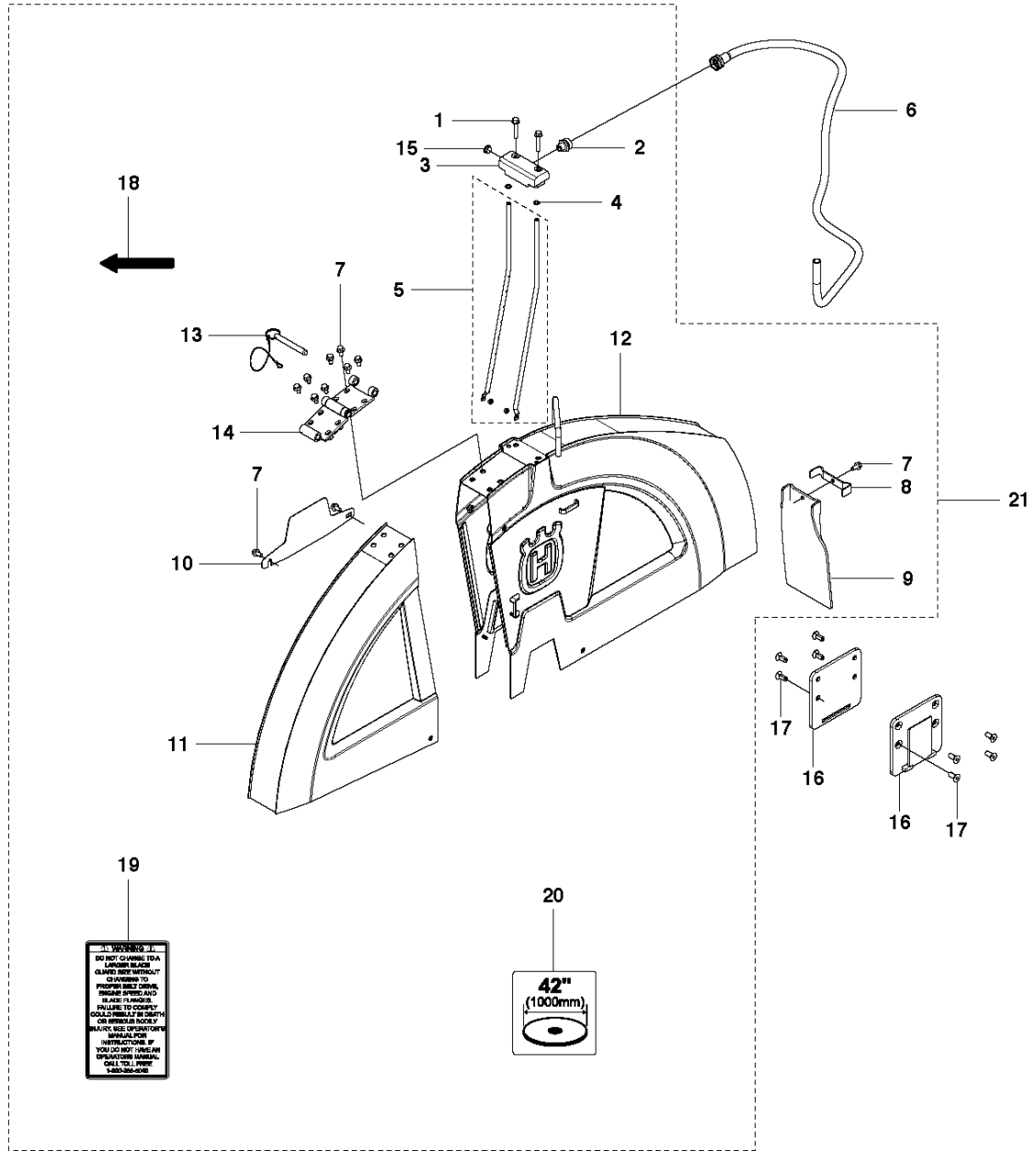
Ref	Part No	Description	Remark	QTY KIT
1	585 17 39-01	SCREW EHHFM		2
2	541 20 82-96	HYD FIT.. 4024-12-6		1
3	581 15 72-01	MANIFOLD		1
4	740 43 07-00	O-RING		2
5	586 01 90-01	PIPE	20"	1
5	586 01 91-01	PIPE	26"	1
5	586 01 92-01	PIPE	30"	1
6	584 90 45-01	HOSE	1-speed	1
6	584 90 45-02	HOSE	3-Speed	1
7	725 24 49-61	SCREW EHHFT		7
8	581 60 30-01	PLATE		1
9	581 60 51-01	SPLASH GUARD		1
10	581 34 29-01	BLADE GUARD		1
11	579 46 79-01	BLADE GUARD	"20""	1
11	579 50 96-01	BLADE GUARD	"26""	1
11	579 52 32-01	BLADE GUARD	"30""	1
12	579 46 78-01	BLADE GUARD	"20""	1
12	579 50 92-01	BLADE GUARD	"26""	1
12	579 51 09-01	BLADE GUARD	"30""	1
13	585 07 42-01	PEN		1
14	581 30 95-01	HINGE		1
15	581 16 04-01	PLUG		1
16	585 40 72-01	DECAL		1
17	585 29 95-01	DECAL		1
18	586 30 75-01	DECAL	"20""	1
18	586 30 76-01	DECAL	"26""	1
18	586 30 77-01	DECAL	"30""	1
19	586 34 32-01	BLADE GUARD		1
19	586 34 33-01	BLADE GUARD		1
19	586 34 34-01	BLADE GUARD		1

BLADE GUARD 36"



Ref	Part No	Description	Remark	QTY KIT
1	585 17 39-01	SCREW EHHFM		2
2	541 20 82-96	HYD FIT.. 4024-12-6		1
3	581 15 72-01	MANIFOLD		1
4	740 43 07-00	O-RING		2
5	586 01 93-01	PIPE		1
6	584 90 45-01	HOSE	1-Speed	1
6	584 90 45-02	HOSE	3-Speed	1
7	725 24 49-61	SCREW EHHFT		7
8	581 60 30-01	PLATE		1
9	581 60 51-01	SPLASH GUARD		1
10	581 34 29-01	BLADE GUARD		1
11	579 54 02-01	BLADE GUARD		1
12	579 53 25-01	BLADE GUARD		1
13	585 07 42-01	PEN		1
14	581 30 95-01	HINGE		1
15	581 16 04-01	PLUG		1
16	579 60 83-01	BRACKET		2
17	725 64 93-51	SCREW IHCSFM		8
18	585 40 72-01	DECAL		1
19	585 29 95-01	DECAL		1
20	586 30 78-01	DECAL		1
21	586 34 35-01	BLADE GUARD		1

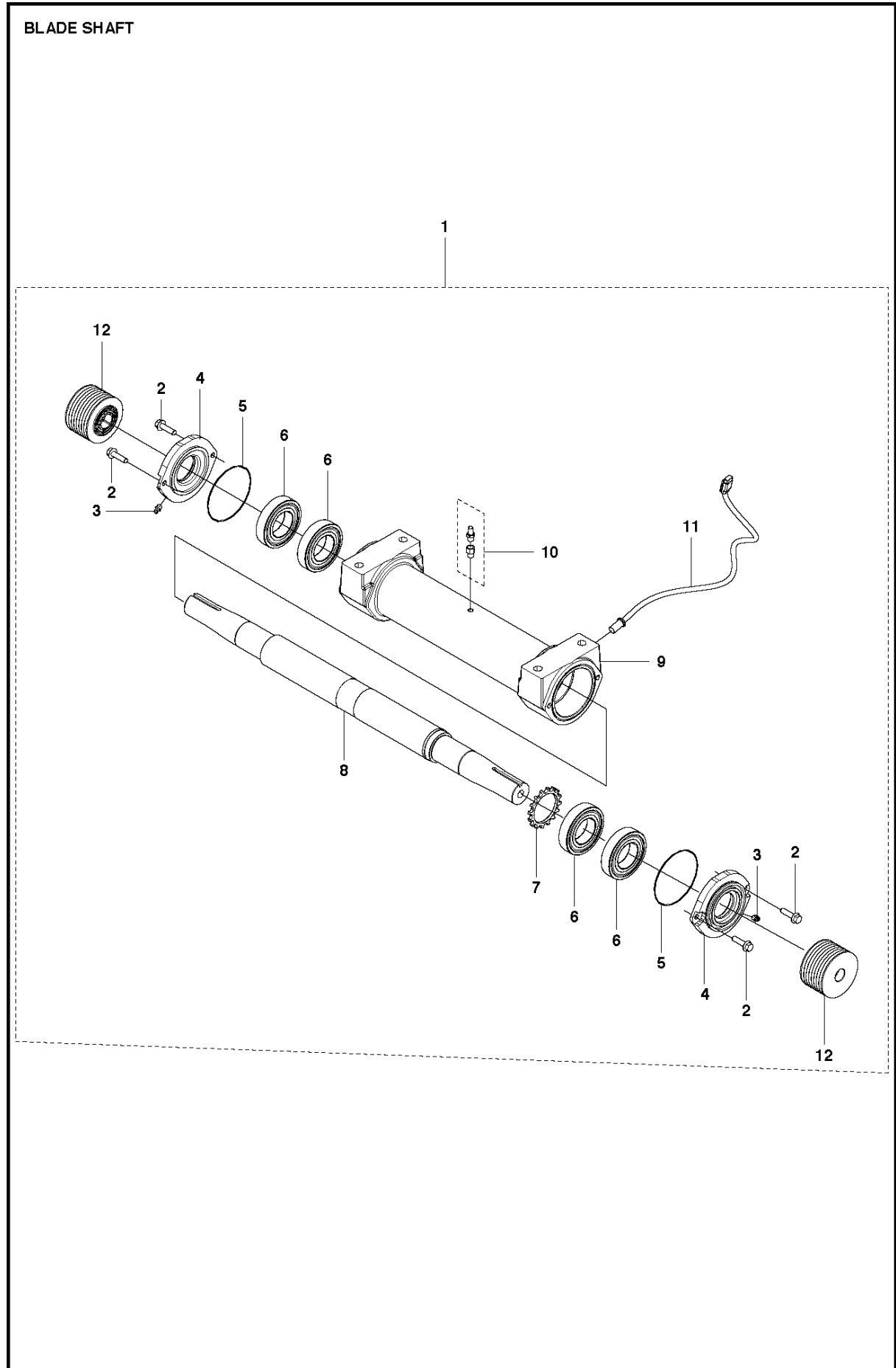
BLADE GUARD 42"



WARNING!
 DO NOT CHANGE TO A
 LONGER BLADE
 UNLESS YOU ARE
 PROPERLY TRAINED AND
 EQUIPPED TO DO SO.
 FAILURE TO COMPLY
 COULD RESULT IN DEATH
 OR SERIOUS INJURY.
 ALWAYS USE OPERATOR'S
 MANUAL FOR
 INSTRUCTIONS. IF
 YOU DO NOT UNDERSTAND
 OPERATING INSTRUCTIONS,
 CALL TOLL FREE
 1-800-368-0188

42"
 (1000mm)

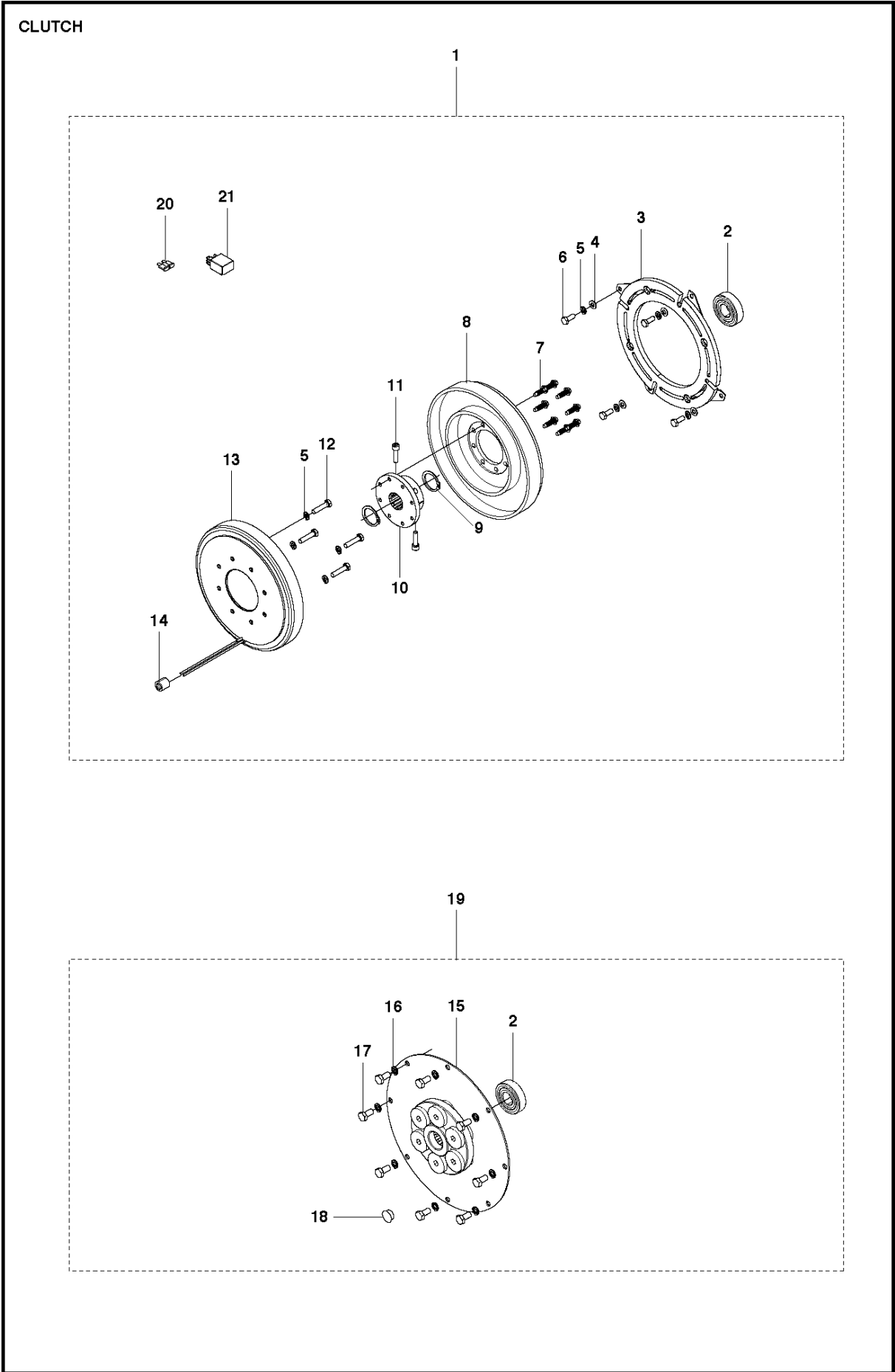
Ref	Part No	Description	Remark	QTY KIT
1	585 17 39-01	SCREW EHHFM		2
2	541 20 82-96	HYD FIT.. 4024-12-6		1
3	581 15 75-01	MANIFOLD		1
4	740 43 07-00	O-RING		2
5	586 01 94-01	PIPE		1
6	584 90 45-01	HOSE	1-Speed	1
6	584 90 45-02	HOSE	3-Speed	1
7	725 24 49-61	SCREW EHHFT		11
8	581 59 96-01	PLATE		1
9	581 60 24-01	SPLASH GUARD		1
10	581 34 29-01	BLADE GUARD		1
11	579 52 98-01	BLADE GUARD		1
12	579 52 97-01	BLADE GUARD		1
13	585 07 43-01	PEN		1
14	581 31 03-01	HINGE		1
15	581 16 04-01	PLUG		1
16	579 60 83-01	BRACKET		2
17	725 64 93-51	SCREW IHCSFM		8
18	585 40 72-01	DECAL		1
19	585 29 95-01	DECAL		1
20	586 30 79-01	DECAL		1
21	586 34 36-01	BLADE GUARD		1



BLADE SHAFT

FS7000, 2014-05

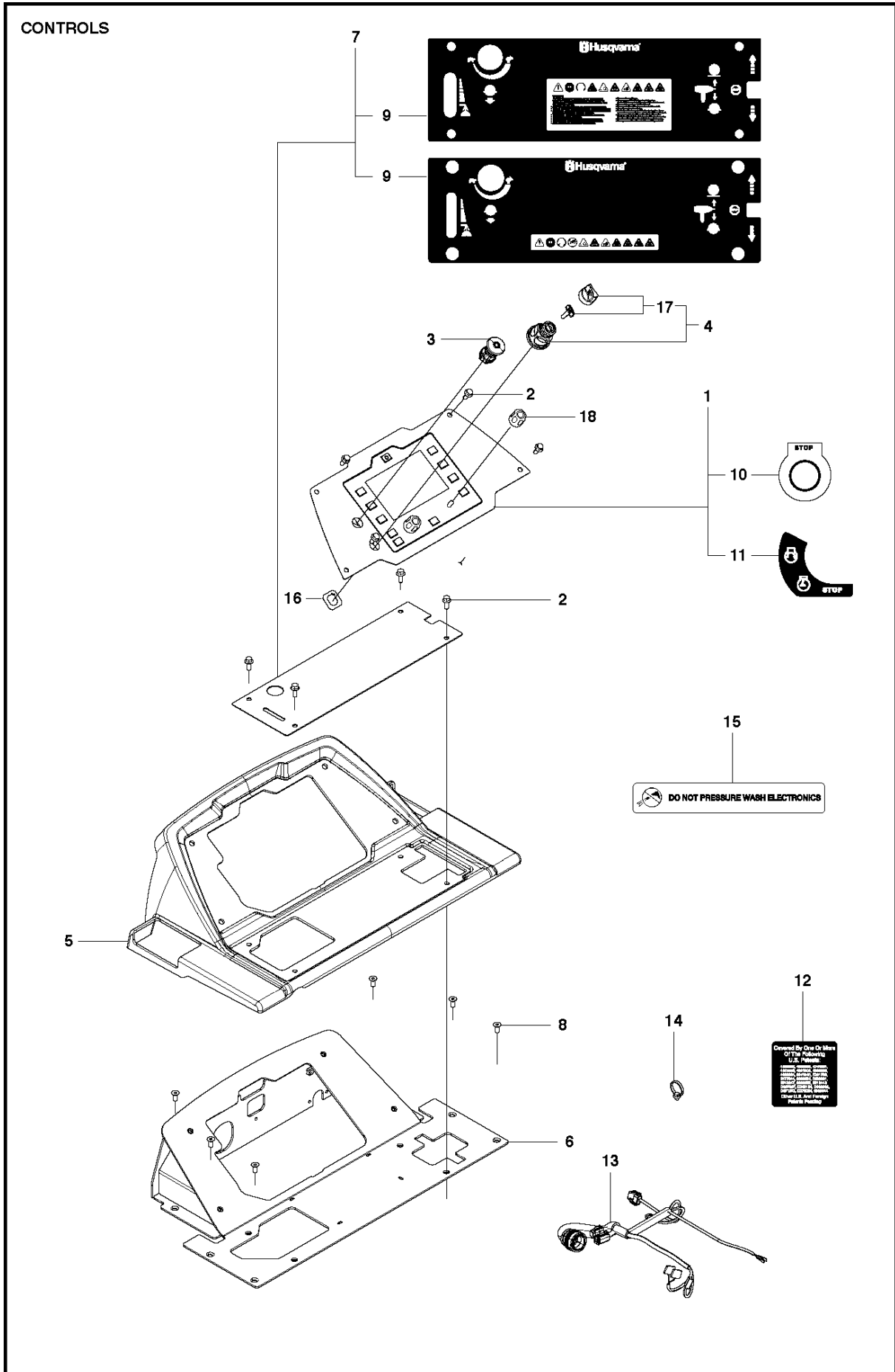
Ref	Part No	Description	Remark	QTY KIT	
1	588 07 87-01	SHAFT ASSY	20" 1-speed	1	
1	588 07 87-02	SHAFT ASSY	26" 1&3-speed and 30" 3-speed	1	
1	588 07 87-03	SHAFT ASSY	30" 1-speed	1	
1	588 07 87-04	SHAFT ASSY	36" 1-speed	1	
1	588 07 87-05	SHAFT ASSY	42" 1-speed	1	
1	588 07 87-06	SHAFT ASSY	36" 3-speed	1	
1	588 07 87-07	SHAFT ASSY	42" 3-speed	1	
2	585 97 28-01	SCREW EHHFM		4	1
3	504 20 45-01	GREASE		2	1
4	579 17 72-01	COVER		2	1
5	580 33 80-01	O-RING		2	1
6	580 24 72-01	BALL BEARING		4	1
7	583 95 30-01	GEAR WHEEL		1	1
8	579 05 69-01	BLADE SHAFT		1	1
9	579 05 64-01	HOUSING		1	1
10	586 01 96-01	FILTER		1	1
11	580 98 95-01	SENSOR		1	1
12	581 10 84-01	PULLEY	20" 1-speed, 26" 1&3-speed and 30" 3-speed	2	1
12	581 10 84-02	PULLEY	30" 1-speed	1	1
12	581 10 84-03	PULLEY	36" 3-speed	1	1
12	581 10 84-04	PULLEY	36" 1-speed	1	1
12	581 10 84-05	PULLEY	42" 3-speed	1	1
12	581 10 85-01	PULLEY	42" 1-speed	1	1



CLUTCH

FS7000, 2014-05

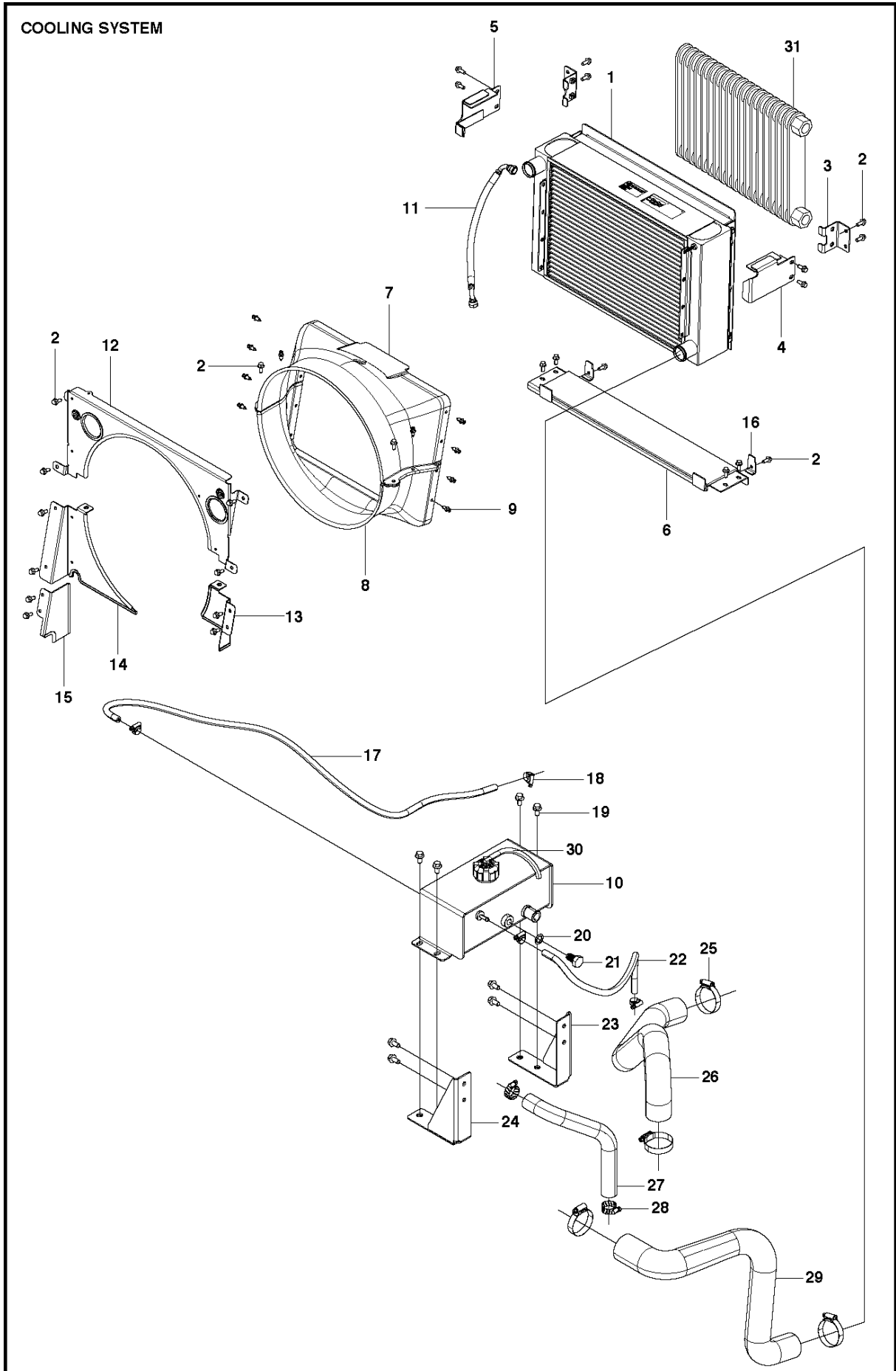
Ref	Part No	Description	Remark	QTY KIT
1	586 70 15-01	CLUTCH		1
2	542 16 63-51	BEARING	1,19	1
3	542 19 98-34	ARMATURE	1	1
4	734 11 63-01	WASHER	1	4
5	735 11 64-01	SPRING WASHER	1	8
6	725 24 51-76	SCREW EHHM	1	4
7	542 19 90-53	BODY	1	8
8	542 16 66-85	ROTOR	1	1
9	542 19 89-53	RING	1	2
10	542 19 93-87	KUPPLUNGSNABENANTRIEB	1	1
11	725 54 55-55	SCREW IHSCM	1	2
12	725 24 57-76	SCREW EHHM	1	4
13	542 19 93-96	COIL	1	1
14	542 19 94-80	BUCHSE 1/2"ID X3/4"OD X3/4"	1	1
15	541 20 69-43	FLYWHEEL	19	1
16	735 11 73-01	SPRING WASHER	19	8
17	725 24 91-76	SCREW EHHM	19	8
18	542 18 33-75	HOLE. PLUG: 3/4"	19	1
19	586 70 85-01	COUPLING		1
20	531 30 24-19	FUSE	1	1
21	581 07 45-01	RELAY	1	1



CONTROLS

FS7000, 2014-05

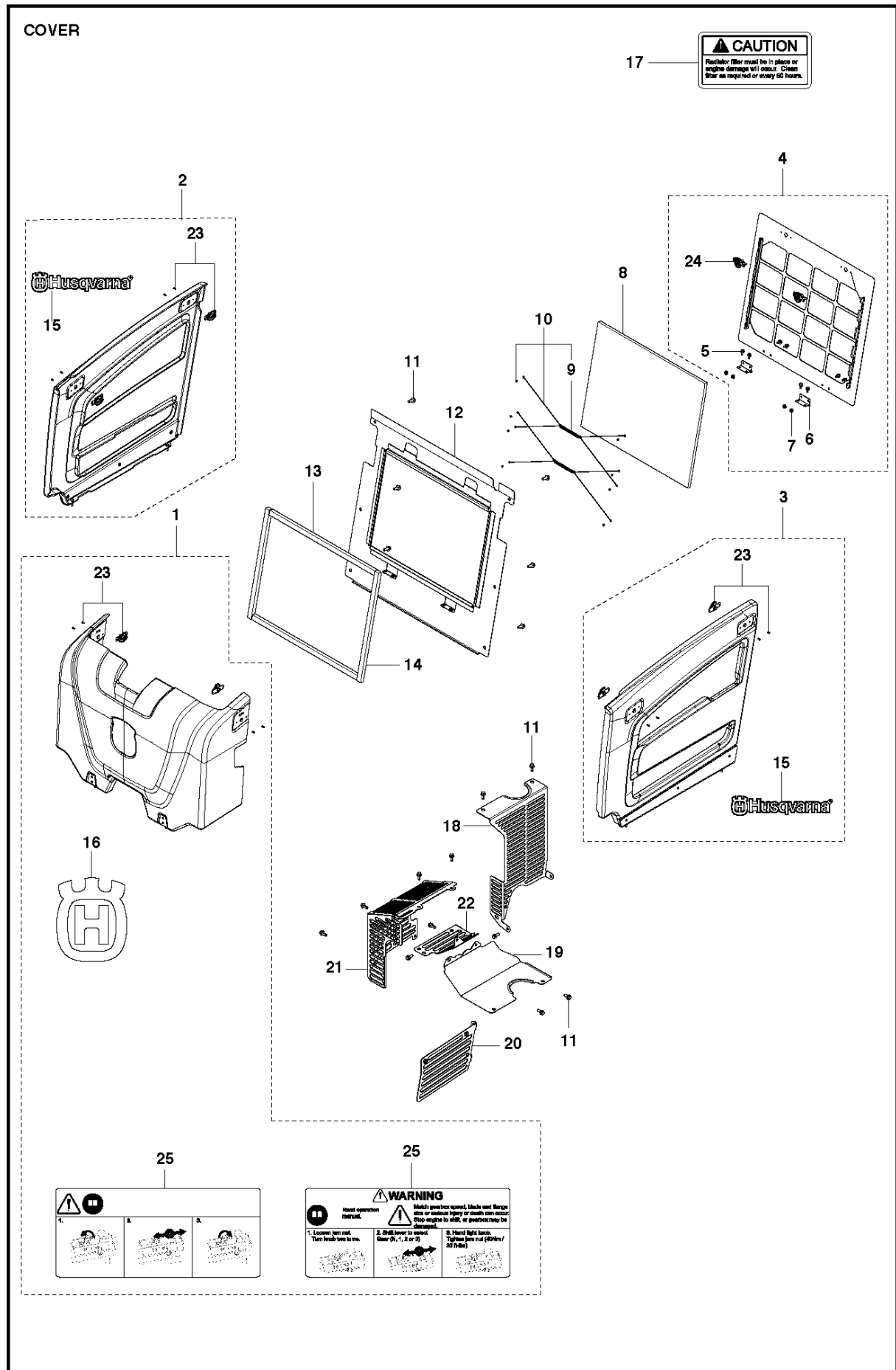
Ref	Part No	Description	Remark	QTY KIT
1	586 83 09-01	CONTROL PANEL		1
2	542 19 90-53	BODY		8
3	586 63 78-01	STOP SWITCH		1
4	587 68 10-01	IGNITION SWITCH		1
5	580 89 13-01	COVER		1
6	580 86 70-01	BRACKET		1
7	586 83 13-01	PANEL	US Only	1
7	586 83 15-01	PANEL	CE Only	1
8	725 64 51-51	SCREW IHCSFM		6
9	585 24 90-01	DECAL	US Only	1
9	585 24 88-01	DECAL	CE Only	1
10	585 40 71-01	DECAL		1
11	585 37 16-01	DECAL		1
12	542 18 04-27	DECAL	US Only	1
13	586 63 98-01	HARNESS ASSY		1
14	583 95 95-01	CLAMP		6
15	581 79 01-01	DECAL	US Only	1
16	586 85 17-01	WASHER		1
17	587 70 91-01	KEY		1
18	587 70 40-01	KNOB		2



COOLING SYSTEM

FS7000, 2014-05

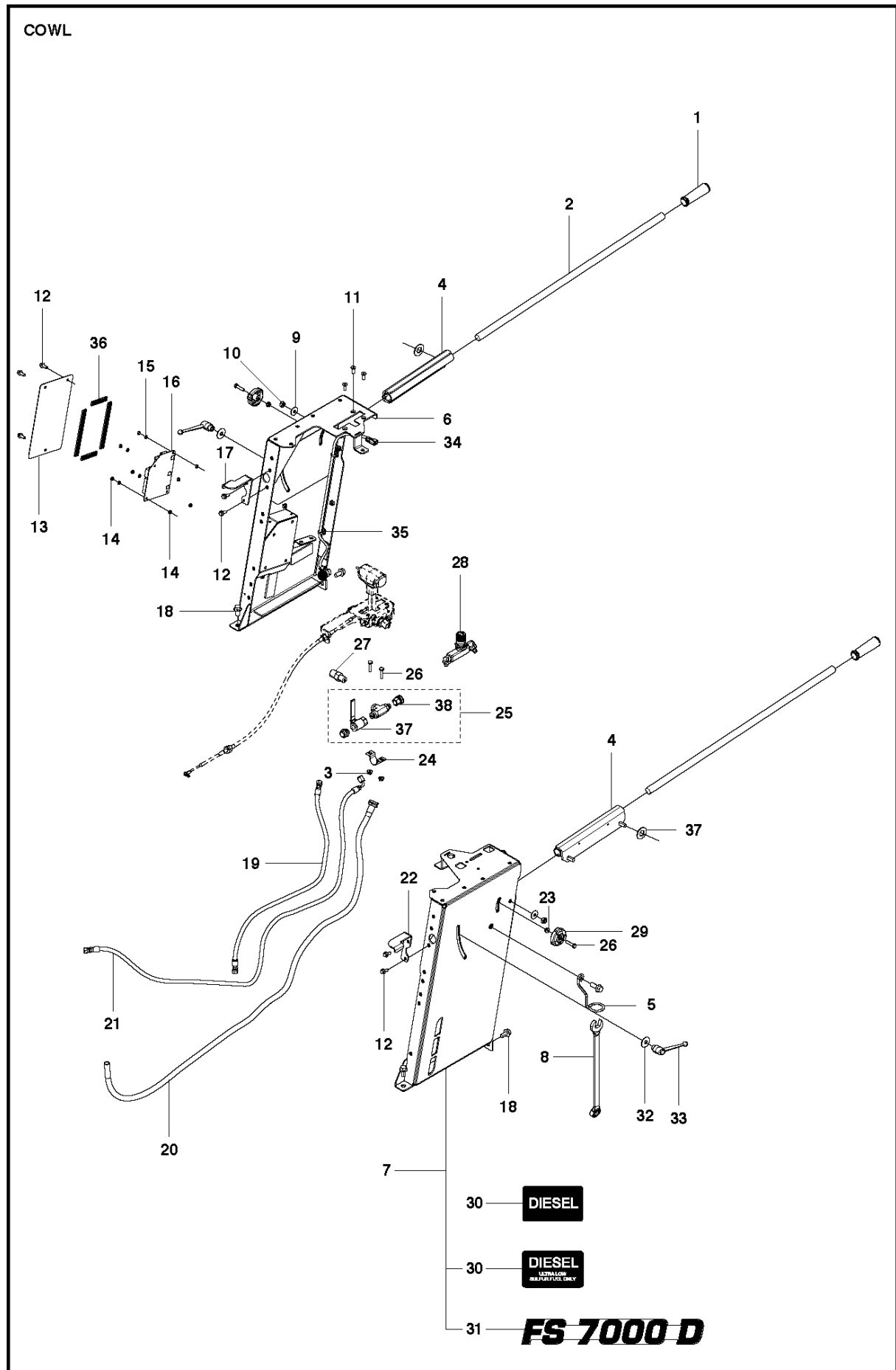
Ref	Part No	Description	Remark	QTY KIT
1	583 89 00-01	RADIATOR ASSY		1
2	585 97 54-01	SCREW EHHFM		26
3	583 91 21-01	BRACKET		2
4	586 65 76-01	PLATE	Left Side	1
5	586 65 77-01	PLATE	Right Side	1
6	586 34 89-01	BRACKET		1
7	580 87 52-01	FAN COVER	Upper	1
8	580 87 51-01	FAN COVER	Lower	1
9	542 16 66-24	BOLT		10
10	584 99 82-01	EXPANSION TANK		1
11	584 15 70-01	HOSE ASSY		1
12	586 07 05-01	BRACKET		1
13	586 07 06-01	BRACKET		1
14	586 07 08-01	BRACKET		1
15	586 07 09-01	BRACKET		1
16	581 12 88-01	BRACKET		2
17	585 03 71-01	TUBE		1
18	542 02 00-49	HOSE CLAMP		4
19	585 97 56-01	SCREW EHHFM		8
20	740 38 29-01	SEALING WASHER		1
21	585 59 54-01	PLUG		1
22	585 03 70-01	TUBE		1
23	585 02 34-01	BRACKET		1
24	585 02 32-01	BRACKET		1
25	576 31 52-03	HOSE CLAMP		4
26	580 91 02-01	HOSE		1
27	585 03 63-01	HOSE		1
28	576 31 52-05	HOSE CLAMP		2
29	580 91 03-01	HOSE		1
30	585 06 66-01	HOSE		1
31	582 18 81-01	OIL COOLER	Included in pos 1, radiator assy	1



COVER

FS7000, 2014-05

Ref	Part No	Description	Remark	QTY KIT
1	586 61 66-01	COVER		1
2	586 61 49-01	COVER	Right Side	1
3	586 61 50-01	COVER	Left Side	1
4	586 61 72-01	PLATE		1
5	585 97 33-01	SCREW EHHFM		8
6	581 16 67-01	HINGE		2
7	731 71 16-51	HEXAGON NUT FLANGE		4
8	583 89 32-01	FILTER		1
9	542 04 03-30	SPRING		2
10	586 61 52-01	RETAINER		2
11	585 97 54-01	SCREW EHHFM		17
12	580 83 98-01	PLATE		1
13	581 17 53-03	INSULATOR		2
14	581 17 53-02	INSULATOR		2
15	585 29 48-01	DECAL		2
16	585 94 93-01	DECAL		1
17	542 16 68-53	DECAL	US Only	1
18	586 06 82-01	PROTECTION		1
19	586 06 84-01	BRACKET		1
20	585 07 65-01	PROTECTION		1
21	586 06 83-01	PROTECTION		1
22	585 07 59-01	PROTECTION		1
23	586 61 48-01	LATCH		6
24	586 61 70-01	LATCH		2
25	587 20 11-01	DECAL	US Only	1
25	587 20 10-01	DECAL	CE Only	1

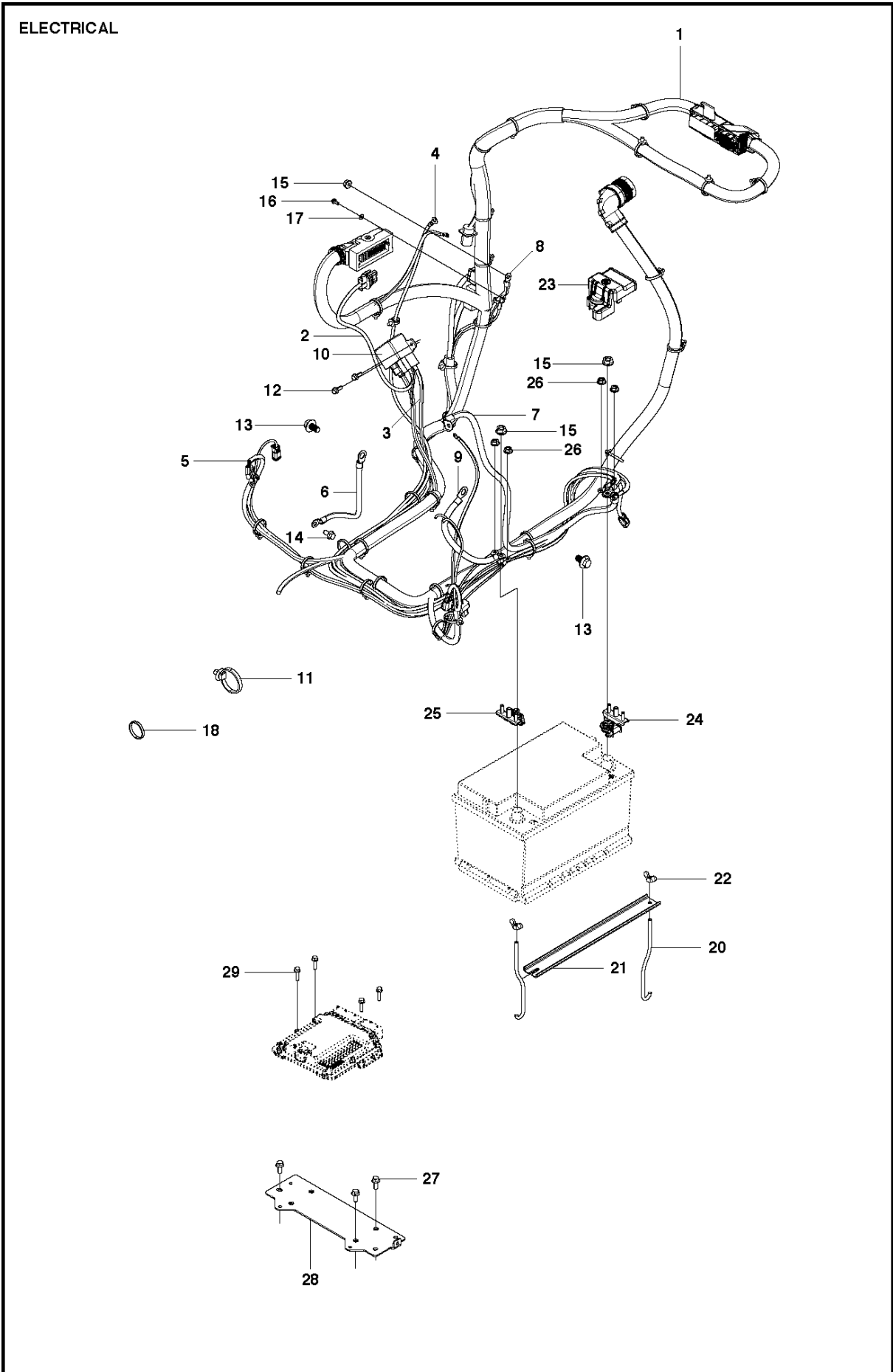


COWL

FS7000, 2014-05

Ref	Part No	Description	Remark	QTY KIT
1	542 13 95-68	GRIP		2
2	539 30 03-40	HANDLEBAR		2
3	542 16 75-55	NUT		2
4	586 92 77-01	HANDLE		2
5	578 10 73-01	HOLDER		1
6	586 61 93-01	COWL PANEL	Right	1
7	586 61 96-01	COWL PANEL	Left	1
8	504 62 64-03	WRENCH		1
9	734 11 78-01	WASHER		2
10	732 25 22-01	HEXAGON LOCKING NUT		2
11	725 64 53-01	SCREW IHCSFM		3
12	585 97 54-01	SCREW EHHFM		7
13	581 04 61-01	HATCH		1
14	731 23 16-01	HEXAGON NUT		8
15	734 11 52-01	WASHER		4
16	581 33 36-01	ELECTRICAL SYSTEM		1
17	586 61 94-01	BRACKET		1
18	585 23 59-01	SCREW EHHFM		5
19	584 21 69-01	HYDRAULIC HOSE		1
20	584 90 45-04	HOSE		1
21	584 21 67-01	HYDRAULIC HOSE		1
22	586 61 97-01	BRACKET		1
23	731 71 18-51	HEXAGON NUT FLANGE		2
24	581 19 22-01	BRACKET		1
25	586 02 24-01	CONNECTOR		1
26	725 24 57-71	SCREW EHHM		4
27	542 17 87-24	SWITCH		1
28	586 41 01-01	CONTROL VALVE		1
29	504 56 93-01	TURNING KNOB		2
30	585 37 04-01	DECAL	US Only	1
30	542 18 10-59	DECAL	CE Only	1
31	585 25 46-01	DECAL		2
32	542 02 07-45	HS350T RINGS/		2
33	585 59 46-01	LEVER		2
34	584 13 66-01	HARNESS		1
35	583 95 95-01	CLAMP		2
36	586 60 98-01	SEAL		1
37	539 30 02-74	WASHER, FRICTION 1/2 X 1" OD		2

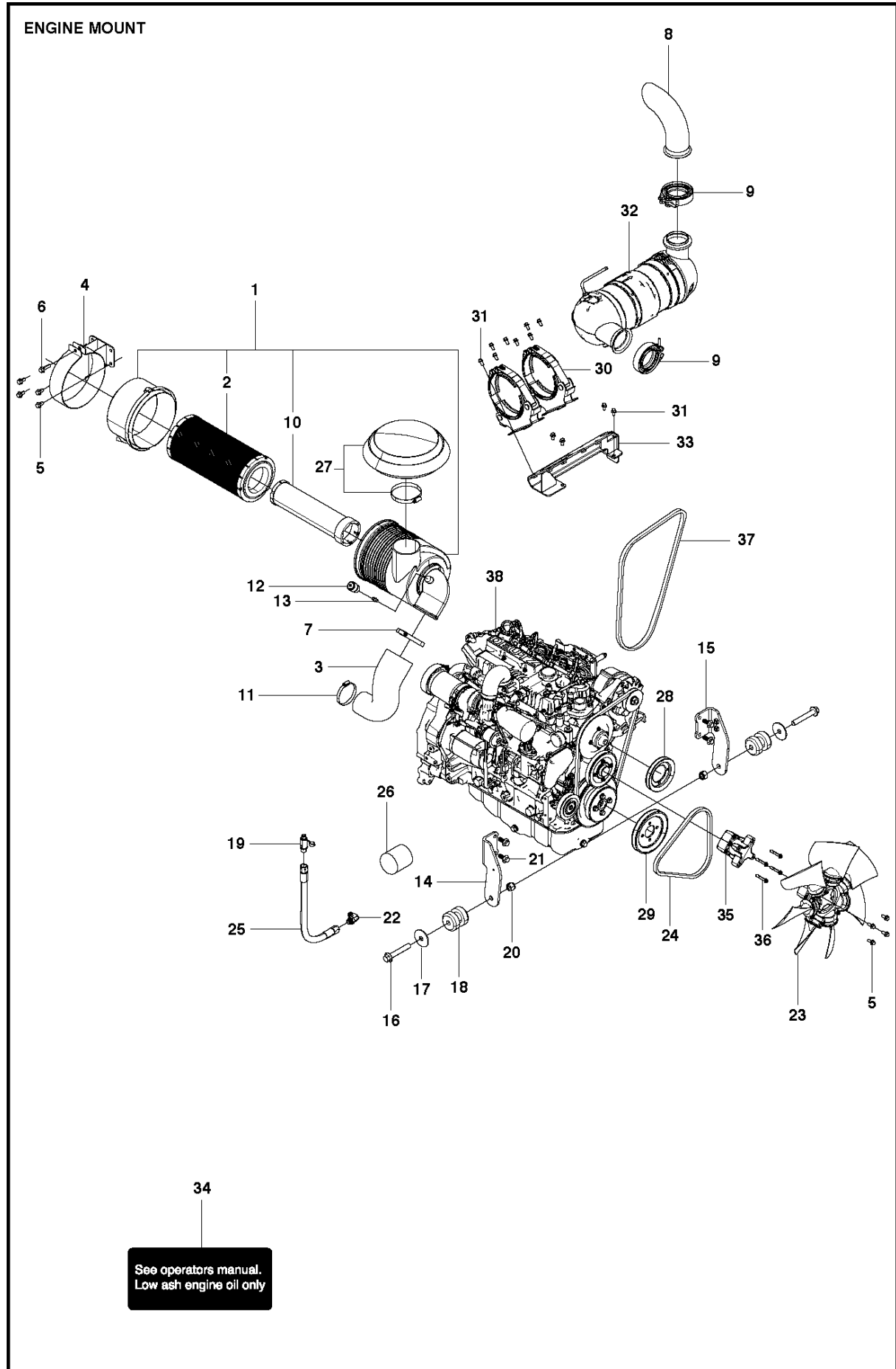
Ref	Part No	Description	Remark	QTY	KIT
1	531 30 24-20	FUSE	20 A Fuse	2	
2	531 30 24-21	FUSE	25 A Fuse	2	
3	581 07 45-01	RELAY	25 A Relay	3	
4	581 41 21-01	FUSE	60 A Fuse	1	
5	581 07 46-01	RELAY	70 A Relay	1	
6	531 30 24-19	FUSE	15 A Fuse	1	
7	581 33 36-01	ELECTRICAL SYSTEM		1	
8	501 69 62-01	FUSE HOLDER		1	7



ELECTRICAL

FS7000, 2014-05

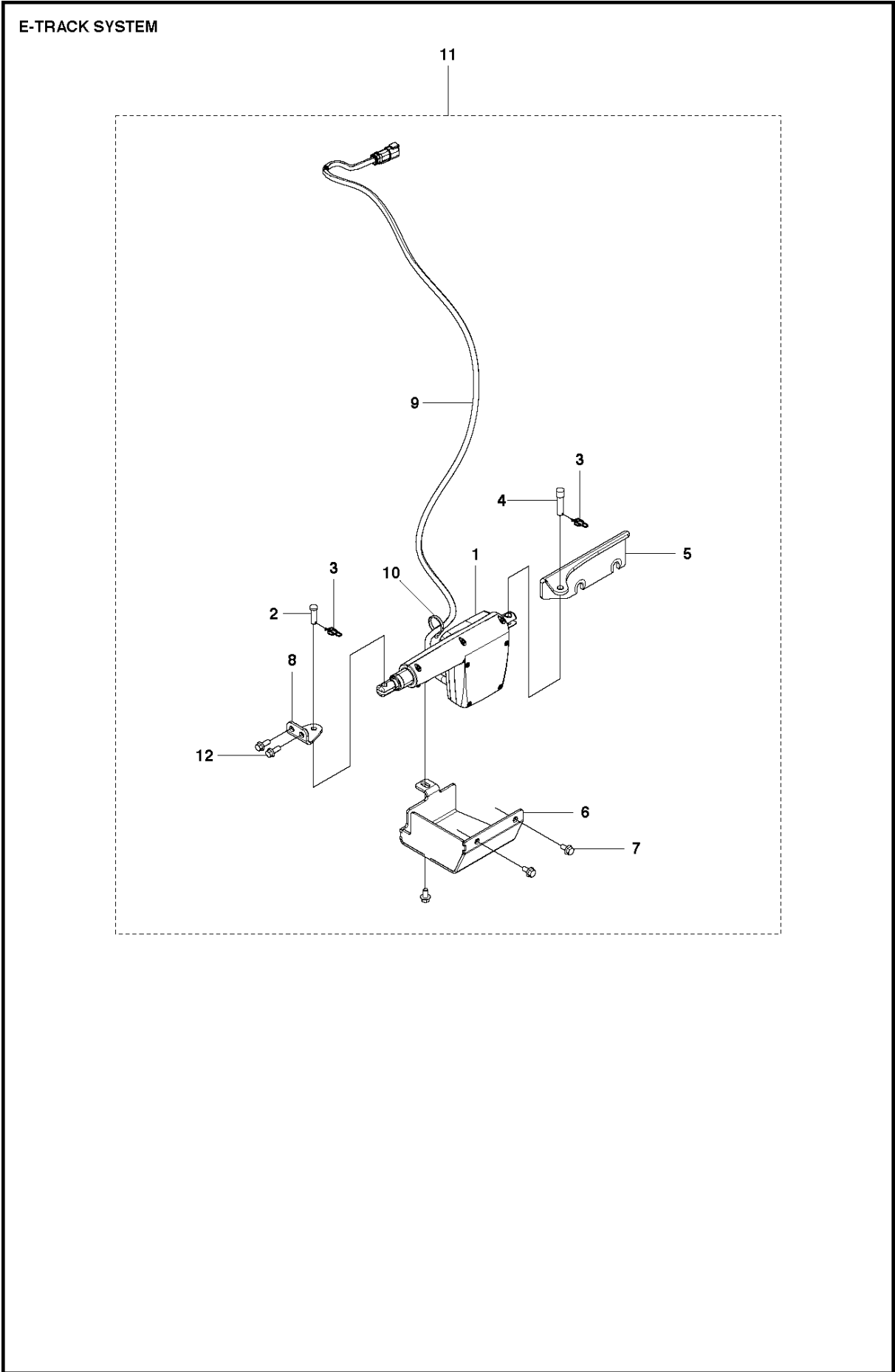
Ref	Part No	Description	Remark	QTY KIT
1	581 06 85-01	HARNESS ASSY		1
2	581 07 32-01	HARNESS ASSY	Heat Plug Relay	1
3	581 07 32-02	HARNESS ASSY	BATT+ Heat Plug	1
4	581 07 32-03	HARNESS ASSY	BATT+ Generator	1
5	581 07 32-04	HARNESS ASSY	BATT+ Hydraulic Pump	1
6	581 07 32-05	HARNESS ASSY	GROUND- Hydraulic Pump	1
7	581 07 32-07	HARNESS ASSY	BATT+ Starter	1
8	581 07 32-11	HARNESS ASSY	BATT+ Relay Box	1
9	581 07 32-13	HARNESS ASSY	BATT- Chassie	1
10	581 07 47-01	RELAY		1
11	583 95 95-01	CLAMP		33
12	585 98 06-01	SCREW EHHFM		2
13	576 65 48-02	SCREW EHHFM		2
14	585 97 56-01	SCREW EHHFM		1
15	731 71 18-51	HEXAGON NUT FLANGE		3
16	725 23 27-71	SCREW EHHM		1
17	734 11 46-01	WASHER		1
18	542 16 69-06	TIE WRAP		3
19	585 07 55-01	BATTERY	US Only	1
20	584 65 09-01	BOLT		2
21	581 15 98-02	PLATE		1
22	577 24 49-01	WING NUT		2
23	581 33 65-01	ELECTRICAL SYSTEM		1
24	581 33 63-01	ELECTRICAL SYSTEM		1
25	581 33 64-01	ELECTRICAL SYSTEM		1
26	731 71 16-51	HEXAGON NUT FLANGE		4
27	585 97 54-01	SCREW EHHFM		3
28	584 14 95-01	BRACKET		1
29	585 98 03-01	SCREW EHHFM		4



ENGINE

FS7000, 2014-05

Ref	Part No	Description	Remark	QTY KIT
1	581 05 89-01	AIR CLEANER		1
2	542 19 11-15	FILTER		1
3	581 10 42-01	HOSE		1
4	580 95 70-01	BRACKET		1
5	585 97 54-01	SCREW EHHFM		8
6	585 97 28-01	SCREW EHHFM		1
7	576 31 52-08	HOSE CLAMP		1
8	581 27 49-01	EXHAUST PIPE		1
9	586 36 88-01	CLAMP		2
10	542 19 11-16	FILTER		1
11	541 20 06-42	CLAMP. HOSE. #44 2 5/16-3 1/4		1
12	541 20 09-89	GAUGE		1
13	542 16 68-80	ADAPTOR, RESTRICTION/INDICATOR		1
14	581 07 98-01	BRACKET	Left Side	1
15	581 85 37-01	BRACKET	Right Side	1
16	581 24 94-02	SCREW EHHFM		2
17	579 23 20-01	WASHER		2
18	542 16 63-52	SILENBLOC E/FS1200T PO		2
19	542 16 69-07	VALVE		1
20	576 87 89-28	NUT		2
21	576 65 48-03	SCREW EHHFM		4
22	581 72 73-01	ADAPTER		1
23	584 82 46-01	FAN		1
24	586 07 11-01	BELT		1
25	584 97 09-01	HOSE ASSY		1
26	586 01 08-01	OIL FILTER		1
27	542 19 95-66	BRACKET		1
28	585 23 67-01	PULLEY		1
29	585 23 70-01	PULLEY		1
30	586 62 66-01	CLAMP		1
31	585 97 56-01	SCREW EHHFM		12
32	586 36 95-01	EXHAUST		1
33	580 95 74-01	BRACKET		1
34	586 17 51-01	DECAL		1
35	586 62 67-01	SPACER		1
36	586 62 68-01	SCREW		4
37	586 07 11-02	BELT		1
38	586 62 46-01	ENGINE		1

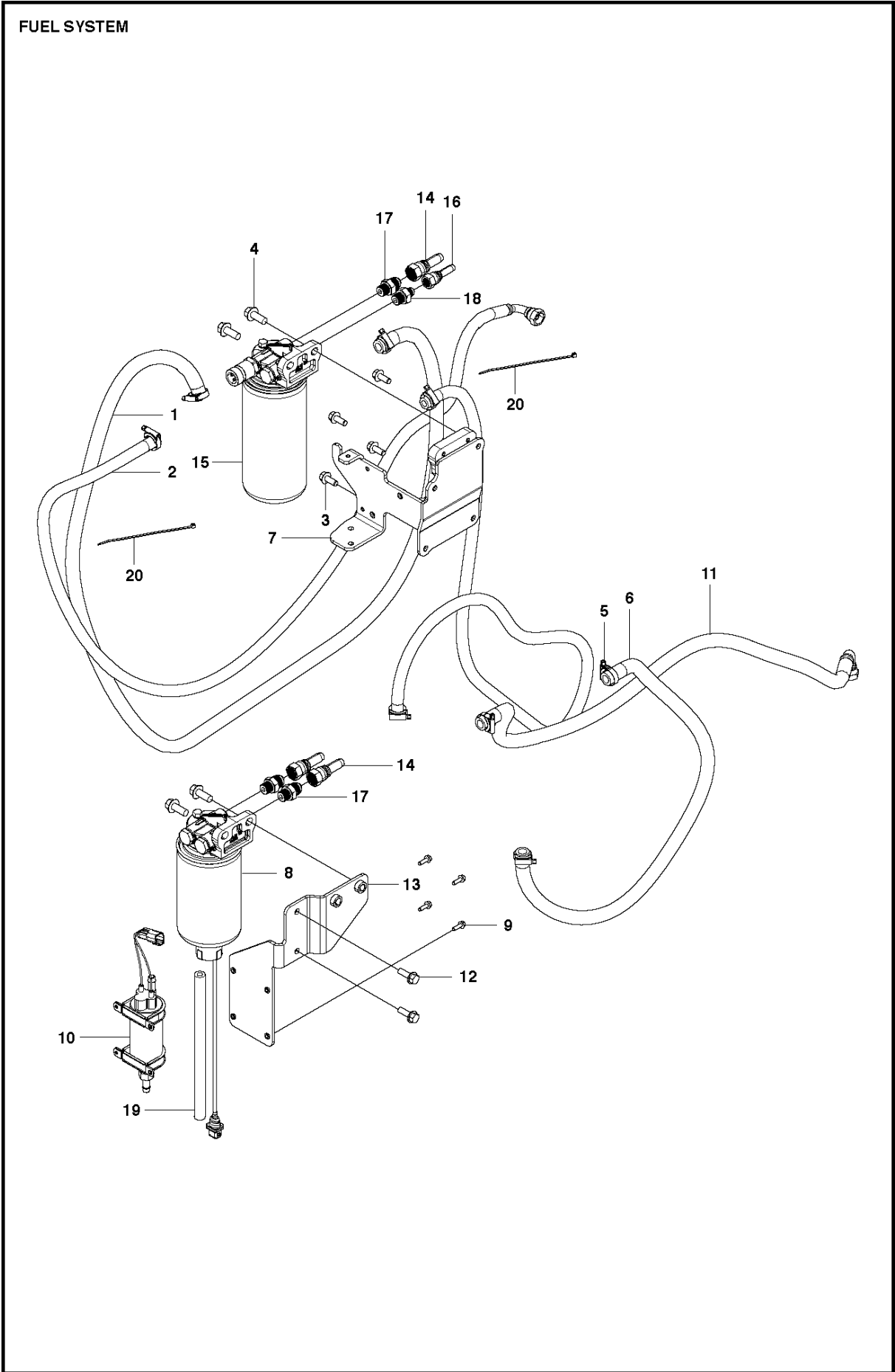


Ref	Part No	Description	Remark	QTY KIT	
1	586 15 58-01	ACTUATOR		1	11
2	542 19 92-41	BOLT		1	11
3	542 17 72-39	STIFT 1/2"		2	11
4	542 19 92-39	BOLT		1	11
5	586 15 57-01	BRACKET		1	11
6	586 16 75-01	LID		1	11
7	585 97 56-01	SCREW EHHFM		3	11
8	586 14 60-01	BRACKET		1	11
9	586 16 90-01	CABLE		1	11
10	583 95 95-01	CLAMP		1	11
11	586 91 45-01	E-TRACK SYSTEM		1	
12	585 97 54-01	SCREW EHHFM		2	

FRONT AXEL

FS7000, 2014-05

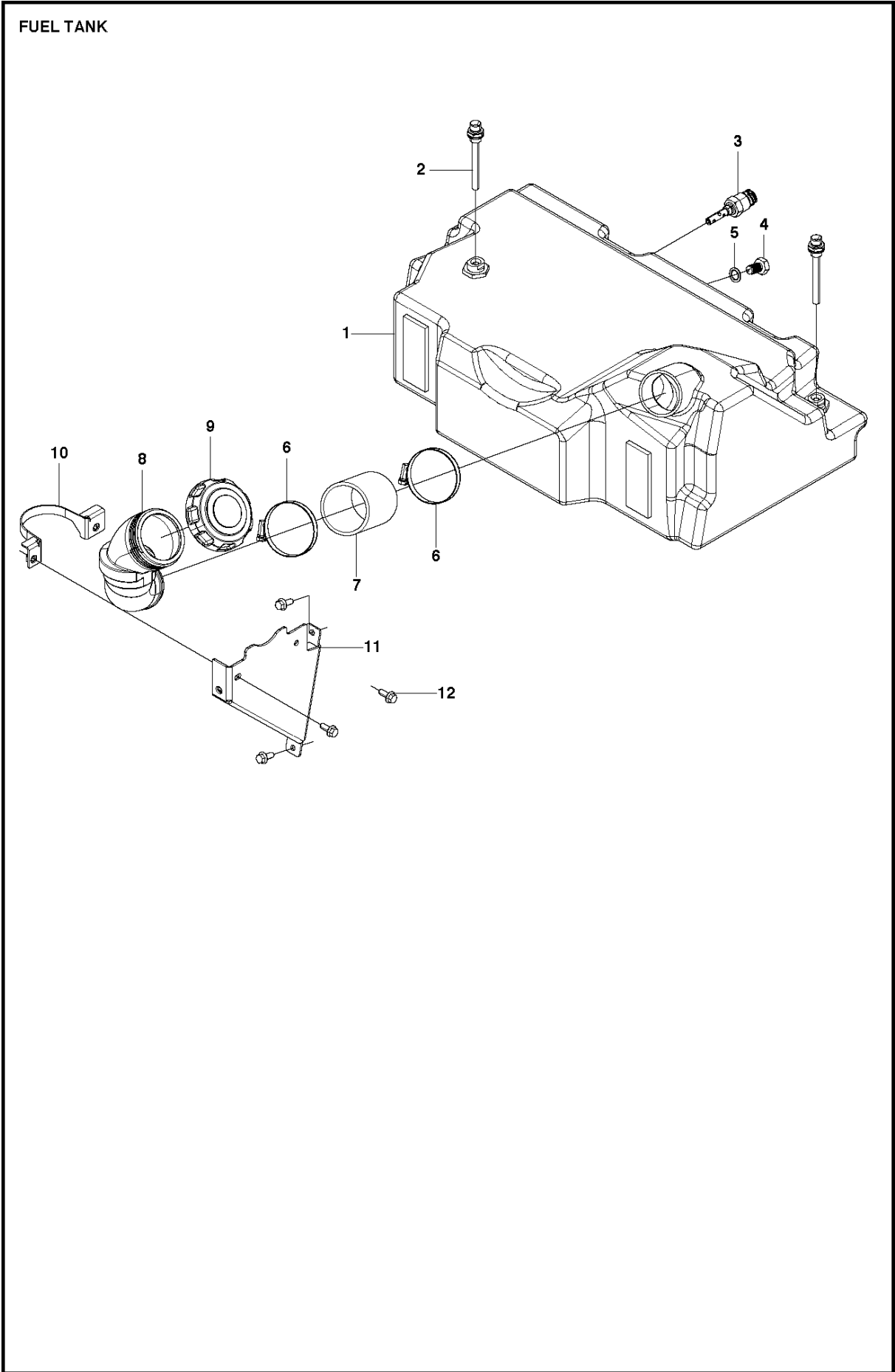
Ref	Part No	Description	Remark	QTY KIT
1	576 65 48-07	SCREW EHHFM		1
2	579 59 56-01	BLOCK		1
3	579 52 58-01	SHAFT		1
4	735 31 22-01	CIRCLIP		2
5	579 24 64-01	HYDRAULIC CYLINDER		1
6	579 60 77-01	SHAFT		1
7	581 06 88-01	GREASE		1
8	586 68 50-01	FRONT AXLE		1
9	579 73 54-01	BALL BEARING		2
10	542 19 90-53	BODY		2
11	725 25 46-71	SCREW EHHM		2
12	731 23 22-01	HEXAGON NUT		2
13	542 04 64-02	WASHER		4
14	542 19 17-70	WHEEL ASSY		2
15	735 31 26-01	CIRCLIP		2
16	581 20 54-01	ADAPTER		1
17	584 14 38-01	HYDRAULIC HOSE		1
18	581 20 55-01	ADAPTER		1
19	576 65 48-13	SCREW EHHFM		4
20	579 33 03-01	PLATE		1
21	581 14 06-01	MAGNET		1
22	581 14 07-01	SENSOR		1
23	579 33 02-01	BOX		1
24	585 98 06-01	SCREW EHHFM		6
25	576 65 48-03	SCREW EHHFM		1



FUEL SYSTEM

FS7000, 2014-05

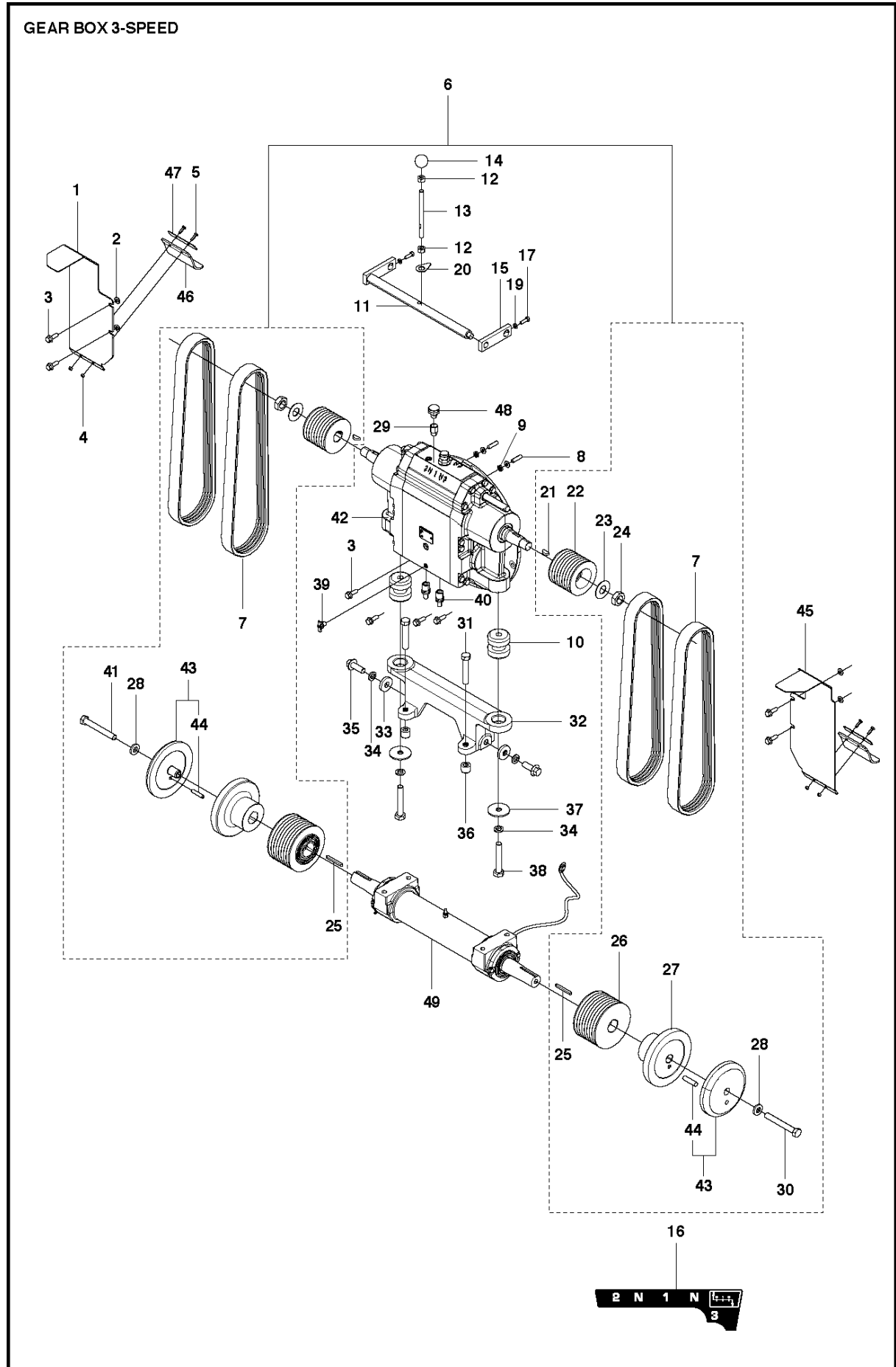
Ref	Part No	Description	Remark	QTY KIT
1	585 05 63-01	FUEL HOSE		1
2	584 15 67-01	HOSE ASSY		1
3	585 97 54-01	SCREW EHHFM		4
4	585 97 31-01	SCREW EHHFM		2
5	539 30 00-11	CLAMP, HOSE, MAH-6, 5/16-7/8		8
6	585 05 30-01	FUEL HOSE		1
7	580 96 95-01	BRACKET		1
8	581 77 69-01	WATER SEPARATOR		1
9	585 98 05-01	SCREW EHHFM		4
10	581 77 70-01	FUEL PUMP		1
11	581 22 61-01	HOSE ASSY		1
12	506 57 01-05	SCREW EHHFM		2
13	584 22 64-01	BRACKET		1
14	585 18 95-01	FITTING		3
15	581 77 71-01	FUEL FILTER		1
16	585 18 94-01	FITTING		1
17	585 18 92-01	ADAPTER		3
18	585 18 90-01	ADAPTER		1
19	586 27 50-01	FUEL HOSE		1
20	542 16 62-14	TIE WRAP		2



FUEL TANK

FS7000, 2014-05

Ref	Part No	Description	Remark	QTY KIT
1	586 07 14-01	FUEL TANK ASSY		1
2	581 12 91-01	ADAPTER		2
3	584 26 82-01	SENSOR		1
4	585 59 54-01	PLUG		1
5	740 38 29-01	SEALING WASHER		1
6	576 31 52-07	HOSE CLAMP		2
7	581 05 36-01	HOSE		1
8	581 10 97-01	PIPE		1
9	539 10 63-30	TANK CAP		1
10	583 91 40-01	BRACKET		1
11	583 96 68-01	BRACKET		1
12	585 97 54-01	SCREW EHHFM		4

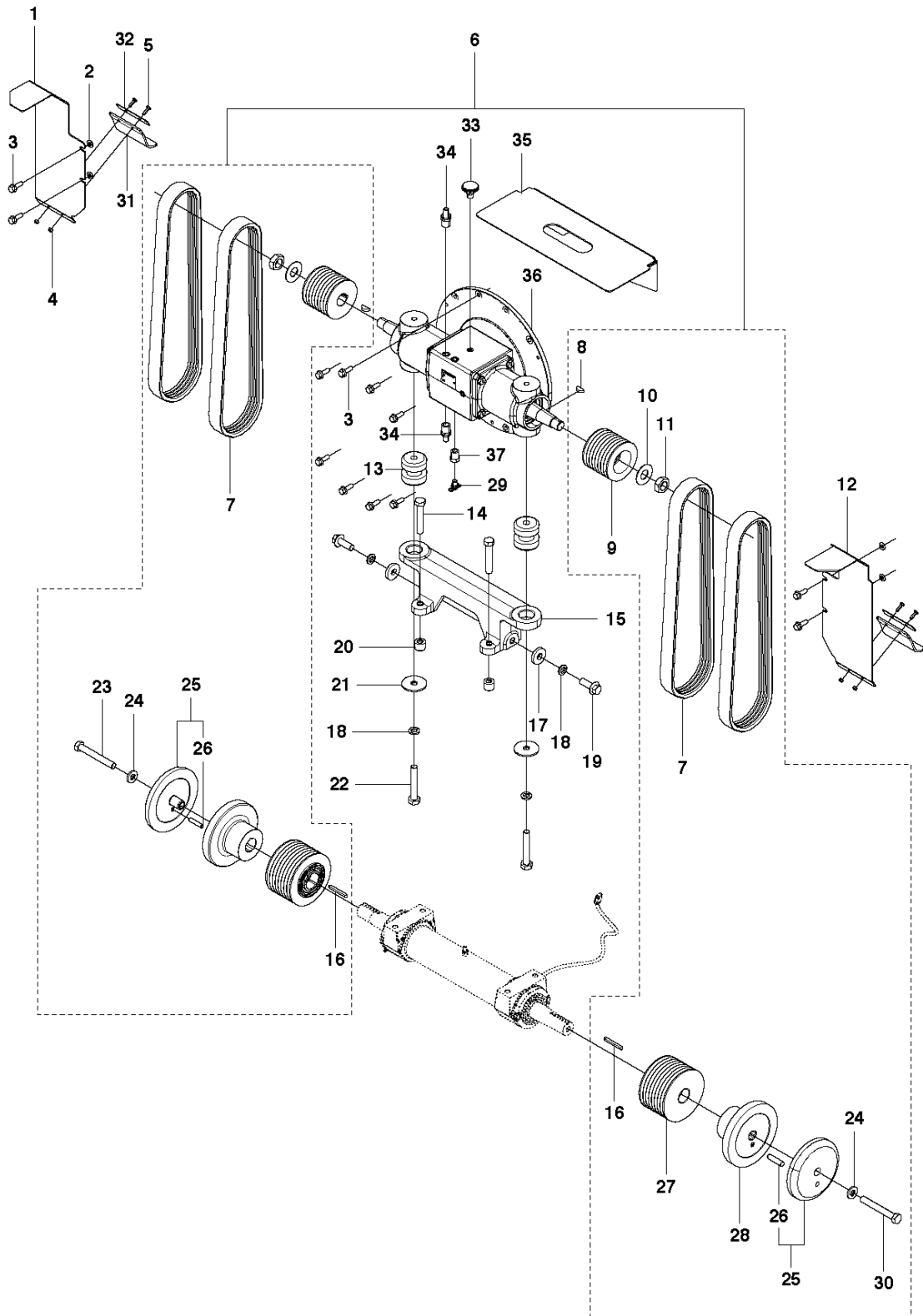


GEAR BOX

FS7000, 2014-05

Ref	Part No	Description	Remark	QTY KIT
1	581 02 08-01	BELT GUARD	Right Side	1
2	734 11 72-01	WASHER		10
3	585 98 04-01	SCREW EHHFM		8
4	732 25 16-01	HEXAGON LOCKING NUT		4
5	586 12 02-01	SCREW EHHFM		4
6	587 21 75-06	BELT		1
6	587 21 75-07	BELT		1
6	587 21 75-08	BELT		1
6	587 21 75-09	BELT		1
7	504 11 97-06	V-BELT	"26""	4
7	504 11 97-07	V-BELT	"30""	4
7	541 20 08-47	V-BELT	"36""	4
7	504 11 97-01	V-BELT	"42""	4
8	542 20 64-16	STUD. M10 X 25MM		2
9	731 43 20-01	HEXAGON THIN NUT		2
10	587 15 01-01	ANTIVIBRATION ELEMENT		2
11	542 20 62-58	SHIFT ROD. LONG. Z/P		1
12	539 99 02-58	NUT		2
13	542 20 63-97	HANDLE		1
14	542 16 32-14	BOULE/		1
15	579 56 74-01	ARM		2
16	585 29 49-01	DECAL		1
17	539 99 02-09	SCREW		2
18	725 24 49-71	SCREW EHHM		2
19	735 11 64-01	SPRING WASHER		4
20	584 91 93-01	BRACKET		1
21	542 16 46-32	FS1200T KEY - WOODRUFF/		2
22	581 09 98-03	PULLEY	"26""	2
22	581 09 98-02	PULLEY	"30"", 36"", 42""	2
23	542 16 64-80	WASHER		2
24	541 20 48-33	NUT		2
25	542 19 90-45	KEY		2
26	581 10 84-01	PULLEY	"26"", 30""	2
26	581 10 84-03	PULLEY	"36""	2
26	581 10 84-05	PULLEY	"42""	2
27	580 93 97-02	FLANGE	"26"", 30""	1
27	580 96 20-01	FLANGE	"36""	1
27	580 96 42-01	FLANGE	"42""	1
28	522 96 59-42	WASHER		2
29	504 53 75-01	FITTING		1
30	586 25 57-01	SCREW	"26"", 30"", 36""	1
30	586 25 60-01	SCREW	"42""	1
31	542 16 63-68	SCREW		2
32	542 16 64-42	BRACKET		1
33	542 16 03-93	FS900T RING/		2
34	539 99 03-33	WASHER		4
35	542 16 74-47	SCREW		2
36	539 30 04-40	BOLT		2
37	542 20 63-56	WASHER		2
38	542 16 63-56	SCREW		2
39	542 16 07-04	HAHN 1/4"NPT		1
40	541 20 48-70	MUFFE 12"H X1/2 MPT		2
41	586 25 59-01	SCREW	"26"", 30"", 36""	1
41	586 25 61-01	SCREW	"42""	1
42	586 87 03-01	GEARBOX	After S/N #001334666001	1
42	586 94 99-02	KIT	Before S/N #001334666001	1
43	586 00 93-01	COLLAR	26" & 30"	2
43	586 00 94-01	FLANGE	36" 3-speed	2
43	586 00 95-01	FLANGE	42" 3-speed	2
44	505 53 19-01	PIN	"42""	2
44	539 30 00-10	PIN	"26"", 30""	2
45	581 02 09-01	BELT GUARD	"36"", 42""	1
46	581 52 16-01	SPLASH GUARD	Left Side	2
47	581 52 18-01	PLATE		2
48	504 53 96-01	FITTING		1
49	581 00 16-01	BLADE SUPPORT		1

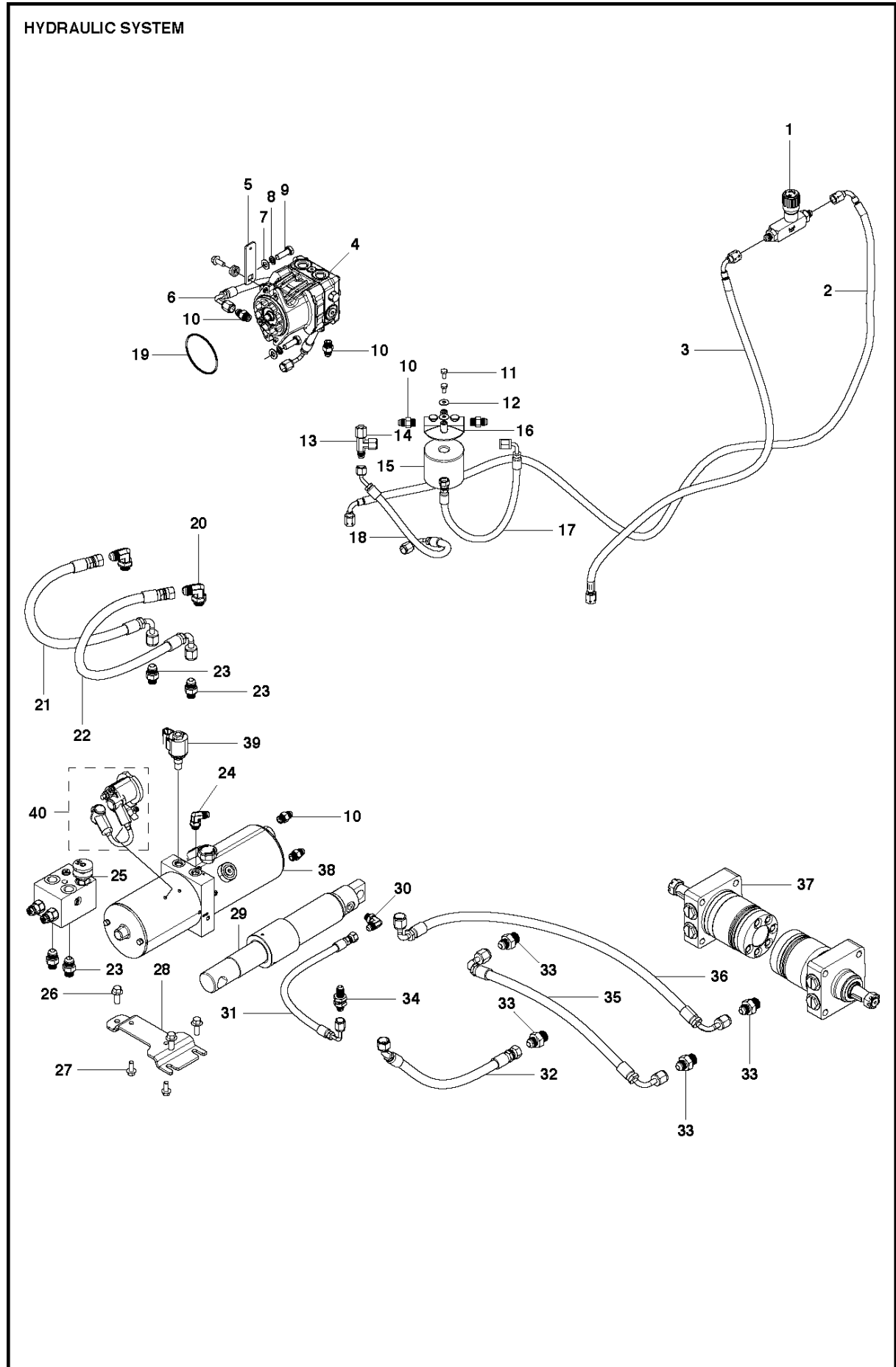
GEAR BOX 1-SPEED



GEAR BOX

FS7000, 2014-05

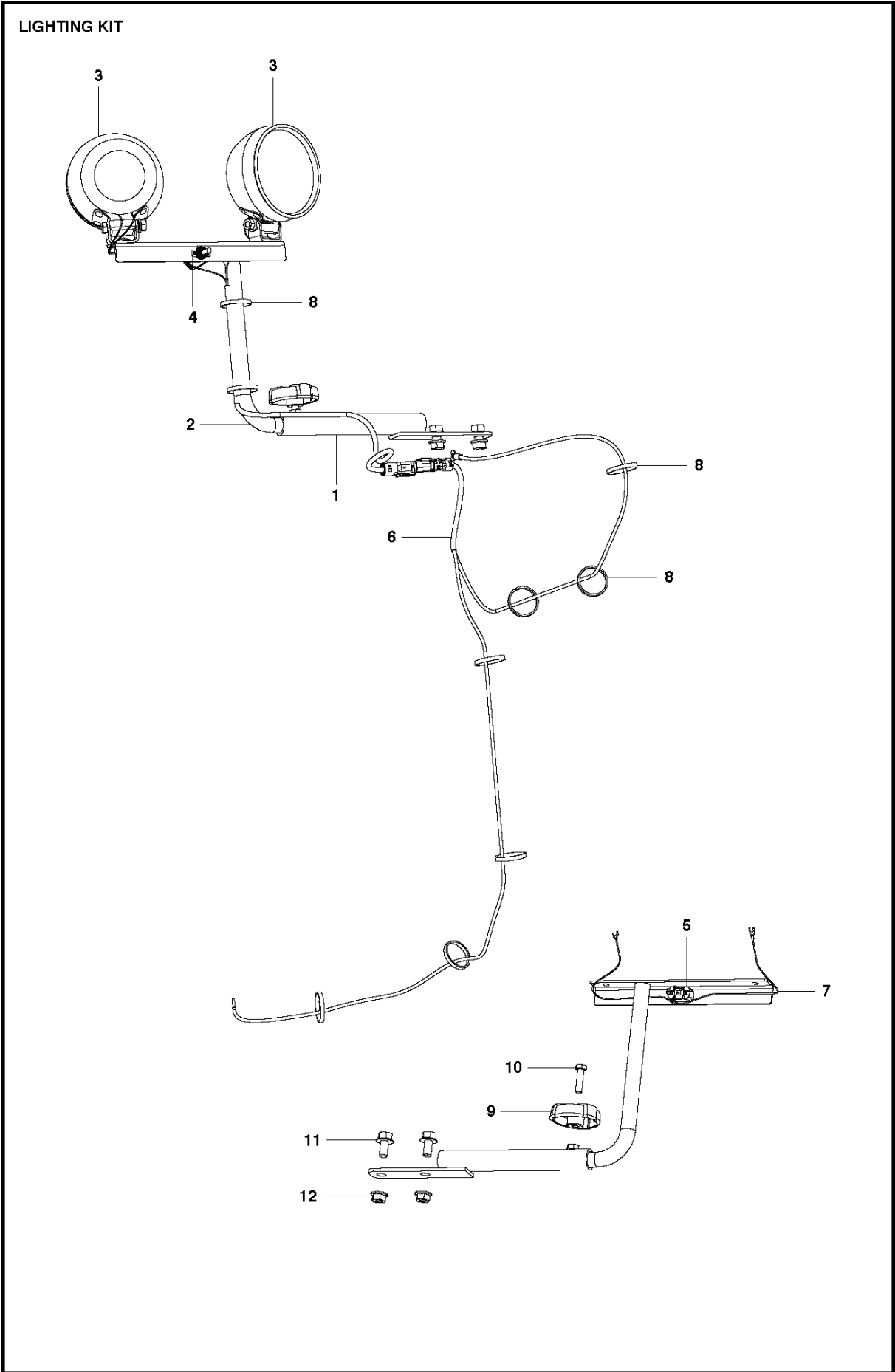
Ref	Part No	Description	Remark	QTY KIT
1	581 02 08-01	BELT GUARD		1
2	734 11 72-01	WASHER	Right Side	12
3	585 98 04-01	SCREW EHHFM		12
4	732 25 16-01	HEXAGON LOCKING NUT		4
5	586 12 02-01	SCREW EHHFM		4
6	587 21 75-01	BELT		1
6	587 21 75-02	BELT		1
6	587 21 75-03	BELT		1
6	587 21 75-04	BELT		1
6	587 21 75-05	BELT		1
7	585 51 49-01	V-BELT	"20"" , 36""	4
7	542 16 63-62	V-BELT	"26"" , 30""	4
7	542 19 97-64	V-BELT	"42""	4
8	542 16 46-32	FS1200T KEY - WOODRUFF/		2
9	581 09 98-03	PULLEY	"20""	2
9	581 09 98-01	PULLEY	"26"" , 30"" , 36"" , 42""	2
10	542 16 64-80	WASHER		2
11	541 20 48-33	NUT		2
12	581 02 09-01	BELT GUARD	Left Side	1
13	542 16 63-52	SILENBLOC E/FS1200T PO		2
14	542 16 63-68	SCREW		2
15	542 16 64-42	BRACKET		1
16	542 19 90-45	KEY		2
17	542 16 03-93	FS900T RING/		2
18	539 99 03-33	WASHER		4
19	542 16 74-47	SCREW		2
20	539 30 04-40	BOLT		2
21	542 20 63-56	WASHER		2
22	542 16 63-56	SCREW		2
23	586 25 59-01	SCREW	"20"" , 26"" , 30"" , 36""	1
23	586 25 61-01	SCREW	"42""	1
24	522 96 59-42	WASHER		2
25	586 00 92-01	COLLAR	"20""	2
25	586 00 93-01	COLLAR	"26"" , 30""	2
25	586 00 94-01	FLANGE	"36""	2
25	586 00 95-01	FLANGE	"42""	2
26	505 53 19-01	PIN	"20"" , 26"" , 30""	2
26	539 30 00-10	PIN	"36"" , 42""	2
27	581 10 84-01	PULLEY	"20"" , 26""	2
27	581 10 84-02	PULLEY	"30""	2
27	581 10 84-04	PULLEY	"36""	2
27	581 10 85-01	PULLEY	"42""	2
28	580 93 97-01	FLANGE	"20""	2
28	580 93 97-02	FLANGE	"26"" , 30""	2
28	580 96 20-01	FLANGE	"36""	2
28	580 96 42-01	FLANGE	"42""	2
29	542 16 07-04	HAHN 1/4"NPT		1
30	586 25 57-01	SCREW	"20"" , 26"" , 30"" , 36""	1
30	586 25 60-01	SCREW	"42""	1
31	581 52 16-01	SPLASH GUARD		2
32	581 52 18-01	PLATE		2
33	542 20 66-60	BREATHER		1
34	541 20 48-70	MUFFE 12"H X1/2 MPT		2
35	586 02 13-01	PROTECTION		1
36	542 19 94-81	GEARBOX		1
37	542 13 96-49	ADAPTER		1



HYDRAULIC SYSTEM

FS7000, 2014-05

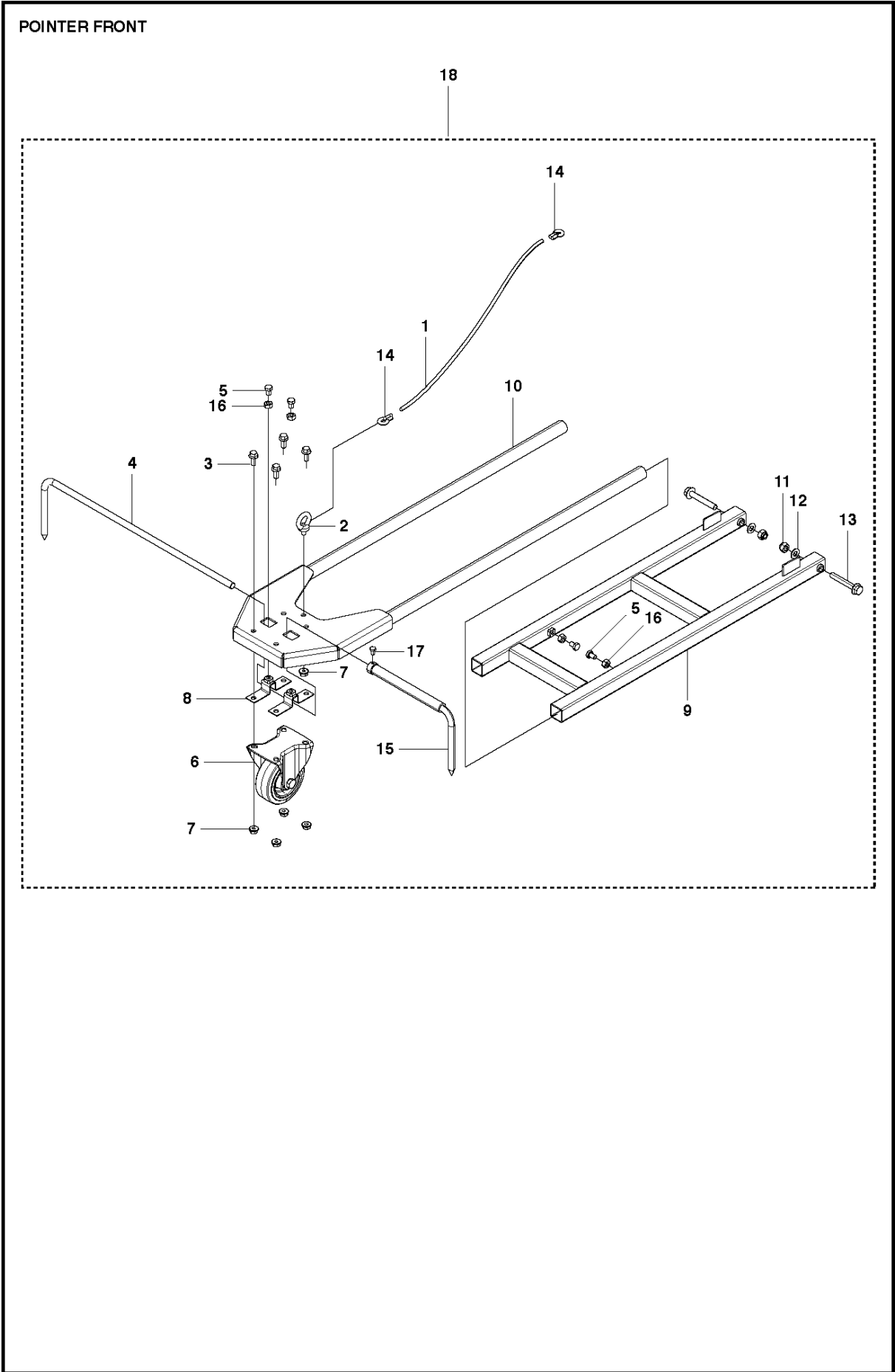
Ref	Part No	Description	Remark	QTY KIT
1	586 41 01-01	CONTROL VALVE		1
2	584 21 67-01	HYDRAULIC HOSE		1
3	584 21 69-01	HYDRAULIC HOSE		1
4	581 05 32-01	HYDRAULIC PUMP		1
5	580 96 06-01	PLATE		1
6	584 26 81-01	HYDRAULIC HOSE		1
7	734 11 72-01	WASHER		2
8	735 11 73-01	SPRING WASHER		2
9	725 24 95-76	SCREW EHHM		2
10	581 20 53-01	ADAPTER		6
11	542 02 03-01	CAP SCREW ITEM 40 020301/		2
12	734 11 54-41	WASHER		2
13	583 96 62-01	ADAPTER		1
14	581 20 60-01	PLUG		1
15	542 16 64-49	FILTER		1
16	542 16 64-48	FILTER		1
17	584 27 07-01	HYDRAULIC HOSE	Filter - Pump	1
18	584 26 97-01	HYDRAULIC HOSE	Filter - Reservoir	1
19	542 19 89-49	O-RING		1
20	583 96 59-01	ADAPTER		2
21	584 26 71-01	HYDRAULIC HOSE	Pump A - Block A2	1
22	584 26 74-01	HYDRAULIC HOSE	Pump B - Block B2	1
23	583 96 82-01	ADAPTER		4
24	583 94 72-01	ADAPTER		1
25	581 26 77-01	VALVE		1
26	585 97 31-01	SCREW EHHFM		3
27	585 97 56-01	SCREW EHHFM		2
28	580 95 84-01	BRACKET		1
29	579 24 64-01	HYDRAULIC CYLINDER		1
30	581 20 54-01	ADAPTER		1
31	584 14 38-01	HYDRAULIC HOSE	Lift Cylinder - Block	1
32	584 28 00-01	HYDRAULIC HOSE	Hydraulic Motor - Block	1
33	541 20 51-02	HYD.FIT.. 6400-8-10		4
34	581 20 55-01	ADAPTER		1
35	584 28 47-01	HYDRAULIC HOSE	Hydraulic Motor	1
36	584 28 05-01	HYDRAULIC HOSE	Hydraulic Motor - Block	1
37	542 19 88-78	WHEEL		2
38	581 25 59-01	HYDRAULIC PUMP		1
39	522 84 91-10	PUMP		1
40	582 22 65-01	VALVE		1



LIGHTING KIT

FS7000, 2014-05

Ref	Part No	Description	Remark	QTY KIT
1	585 92 36-01	SUPPORT		1
2	542 18 11-20	BOGENSCHIENE		1
3	504 85 56-01	LAMP		2
4	542 09 05-52	PLATE		1
5	541 20 19-76	SWITCH		1
6	586 25 54-01	HARNESS ASSY		1
7	586 31 58-01	HARNESS ASSY		1
8	542 16 69-06	TIE WRAP		9
9	504 56 93-01	TURNING KNOB		1
10	725 24 55-71	SCREW EHHM		1
11	585 97 52-01	SCREW EHHFM		2
12	731 71 20-51	HEXAGON NUT FLANGE		2



POINTER FRONT

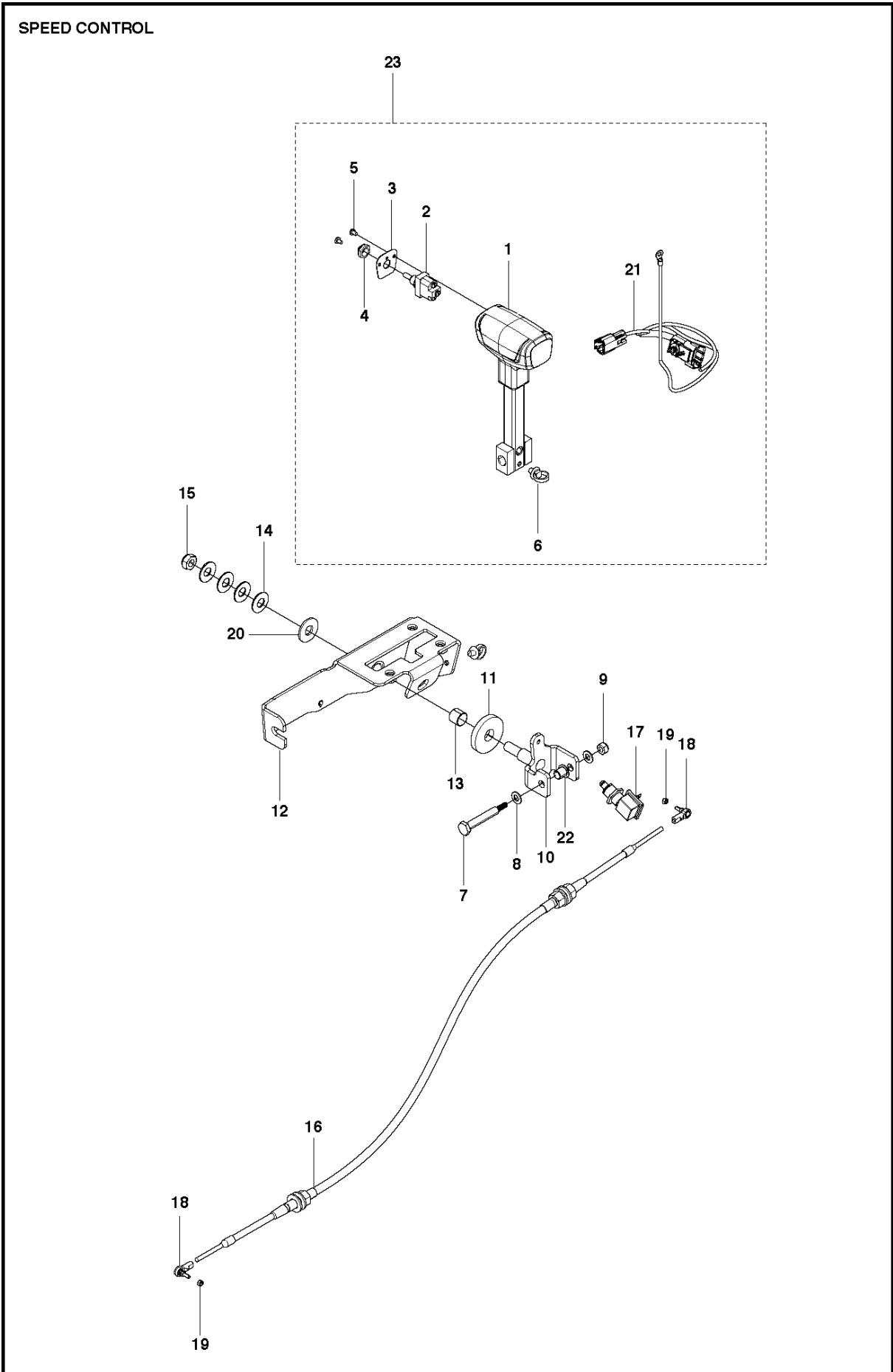
FS7000, 2014-05

Ref	Part No	Description	Remark	QTY KIT
1	542 02 08-90	CORDES/	18	1
2	584 91 14-01	EYE BOLT	18	1
3	585 97 54-01	SCREW EHHFM	18	4
4	581 22 26-01	ROD	18	1
5	725 24 51-71	SCREW EHHM	18	4
6	581 19 12-01	WHEEL	18	1
7	731 71 18-51	HEXAGON NUT FLANGE	18	5
8	581 22 25-01	BRACKET	18	2
9	581 21 37-01	POINTER	18	1
10	581 22 21-01	POINTER	18	1
11	732 25 20-01	HEXAGON LOCKING NUT	18	2
12	734 11 72-01	WASHER	18	2
13	581 24 33-01	SCREW EHHFM	18	2
14	541 20 04-67	CLAMP	18	2
15	585 89 15-01	POINTER	18	1
16	731 23 18-01	HEXAGON NUT	18	4
17	725 23 64-71	SCREW EHHM	18	1
18	586 81 49-01	POINTER		1

REAR AXLE

FS7000, 2014-05

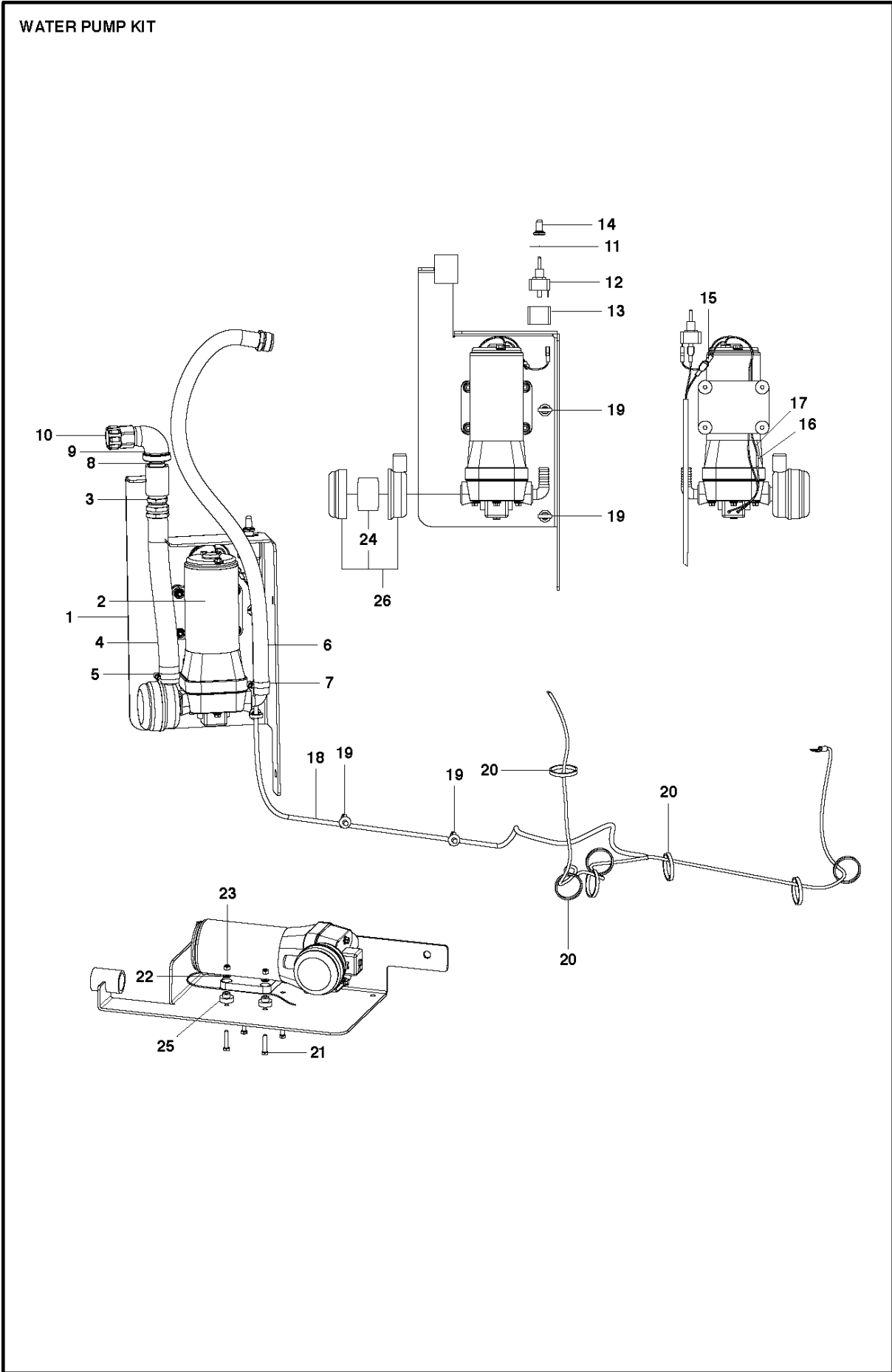
Ref	Part No	Description	Remark	QTY KIT
1	581 09 82-01	HEXAGON NUT		1
2	580 98 96-01	WASHER		1
3	578 78 26-01	BLOCK		1
4	578 78 27-01	SHAFT		1
5	578 78 32-01	DISC		2
6	580 25 53-01	BEARING BUSH		2
7	578 78 28-01	SWIVEL		1
8	578 78 36-01	REAR AXLE		1
9	721 62 03-01	SPLIT PIN		3
10	585 97 28-01	SCREW EHHFM		8
11	539 10 25-35	CAP		2
12	542 19 88-42	REAR WHEEL		2
13	542 19 88-43	HUB		2
14	576 65 48-06	SCREW EHHFM		8
15	542 19 88-78	WHEEL		2
16	541 20 51-02	HYD.FIT.. 6400-8-10		4
17	584 28 47-01	HYDRAULIC HOSE		1
18	584 28 00-01	HYDRAULIC HOSE		1
19	584 28 05-01	HYDRAULIC HOSE		1
20	504 20 45-01	GREASE		1
21	581 07 29-01	WASHER		1
22	578 85 01-01	NUT		1
23	587 21 84-01	E-TRACK SYSTEM		1



SPEED CONTROL

FS7000, 2014-05

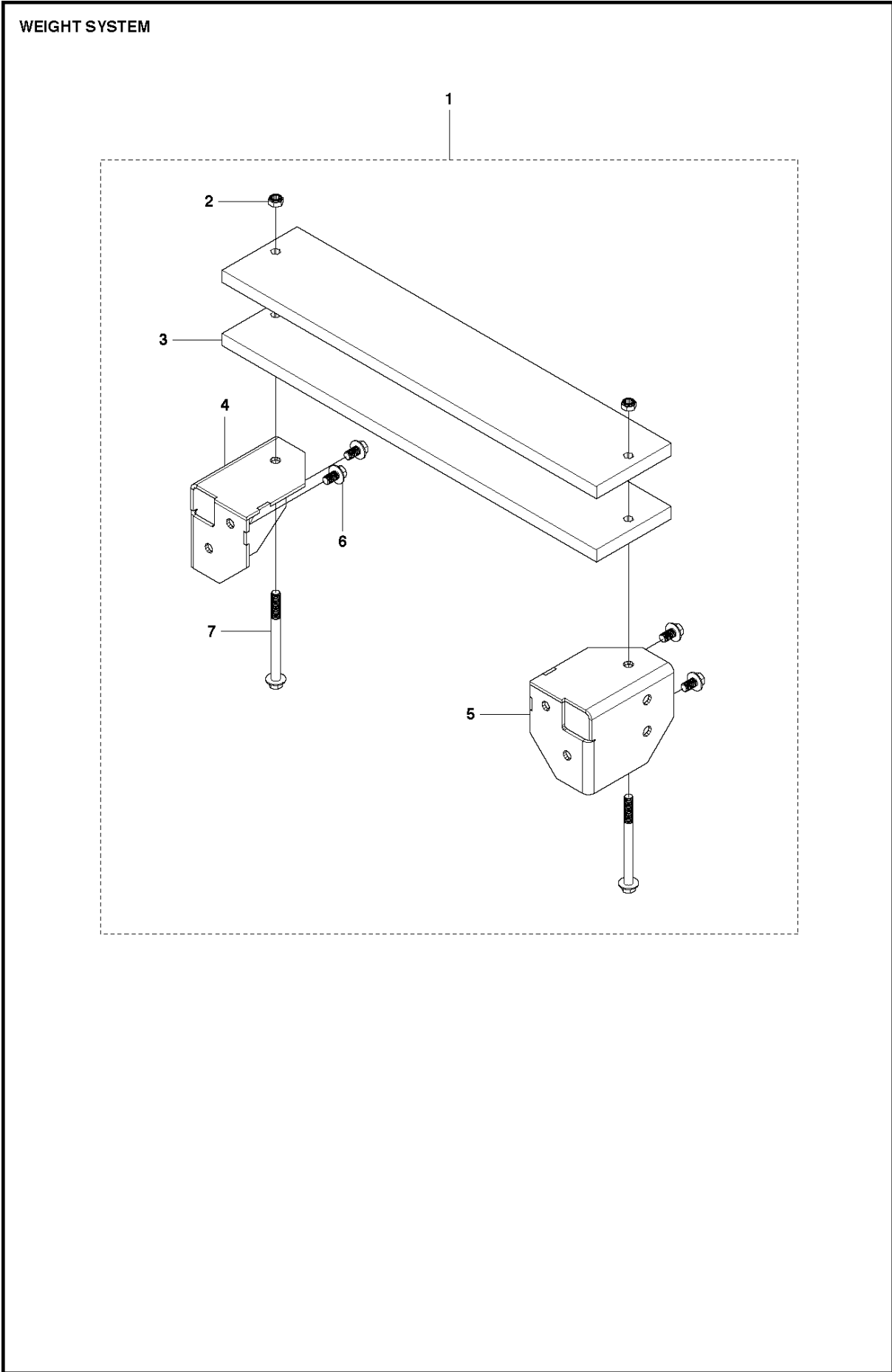
Ref	Part No	Description	Remark	QTY KIT
1	579 73 29-01	HANDLE		1
2	542 18 21-02	SWITCH		1
3	581 11 85-01	PLATE		1
4	542 18 21-46	BOOT		1
5	724 12 85-51	SCREW		2
6	583 95 95-01	CLAMP		2
7	725 24 65-51	SCREW EHHM		1
8	734 11 63-01	WASHER		2
9	732 25 18-01	HEXAGON LOCKING NUT		1
10	579 74 50-01	ARM		1
11	579 42 56-01	WASHER		1
12	581 11 82-01	BRACKET		1
13	581 06 89-01	BEARING BUSH		1
14	542 18 31-24	SCHEIBENFEDER		4
15	732 25 22-01	HEXAGON LOCKING NUT		1
16	579 51 01-03	CABLE		1
17	542 17 63-98	SWITCH		1
18	542 16 64-66	ROD		2
19	541 20 52-53	NUT		2
20	542 02 07-45	HS350T RINGS/		1
21	581 07 36-01	HARNESS ASSY		1
22	505 63 45-01	FLAT WSHR .750X.379 X.031 DEL		2



WATER PUMP

FS7000, 2014-05

Ref	Part No	Description	Remark	QTY	KIT
1	586 27 09-01	BRACKET		1	
2	542 19 96-37	WATER PUMP		1	
3	542 17 86-87	ANSCHLUSSSTUTZEN 3/4 MGH X 3/4		1	
4	542 19 96-58	HOSE		1	
5	539 30 00-11	CLAMP, HOSE, MAH-6, 5/16-7/8		1	
6	542 19 96-57	HOSE		1	
7	576 31 52-05	HOSE CLAMP		1	
8	542 02 02-96	FS900T TUBE FILETE/		1	
9	541 20 45-91	ROHRVERBINDUNG 3/4"		1	
10	541 20 46-61	VEBINDUNG 3/4 MGH X 3/4 FPT		1	
11	542 09 05-52	PLATE		1	
12	542 19 96-48	SWITCH		1	
13	542 19 96-49	SWITCH		1	
14	539 30 01-13	SWITCH BOOT, GREY		1	
15	539 30 01-44	TERM., MALE DISCONNECT, 1/4"		1	
16	541 20 05-73	TERM.. BUTT SPLICE. 14 GA.		1	
17	586 45 67-01	HARNESS ASSY		1	
18	586 45 66-01	HARNESS ASSY		1	
19	583 95 95-01	CLAMP		4	
20	542 16 69-06	TIE WRAP		7	
21	725 23 33-71	SCREW EHHM		4	
22	734 11 46-01	WASHER		4	
23	732 25 14-01	HEXAGON LOCKING NUT		4	
26	542 19 96-41	EINLAUF FILTER		1	
25	542 19 96-40	KIT. GROMMET. WATER PUMP		1	
24	542 19 96-43	STRAINER SCREEN. W/P INLET FILTER		1	26



WEIGHT SYSTEM

FS7000, 2014-05

Ref	Part No	Description	Remark	QTY KIT
1	581 67 89-01	WEIGHT KIT	1-Bar	1
1	581 67 89-02	WEIGHT KIT	"42"" , 2-Bar"	1
2	732 25 22-01	HEXAGON LOCKING NUT		2
3	579 36 00-02	WEIGHT	1-Bar	1
3	579 36 00-02	WEIGHT	"42"" , 2-Bar"	2
4	579 36 06-01	BRACKET	Right Side	1
5	579 36 09-01	BRACKET	Left Side	1
6	576 65 48-02	SCREW EHHFM		4
7	576 65 48-04	SCREW EHHFM	1-Bar	2
7	576 65 48-06	SCREW EHHFM	"42"" , 2-Bar"	2